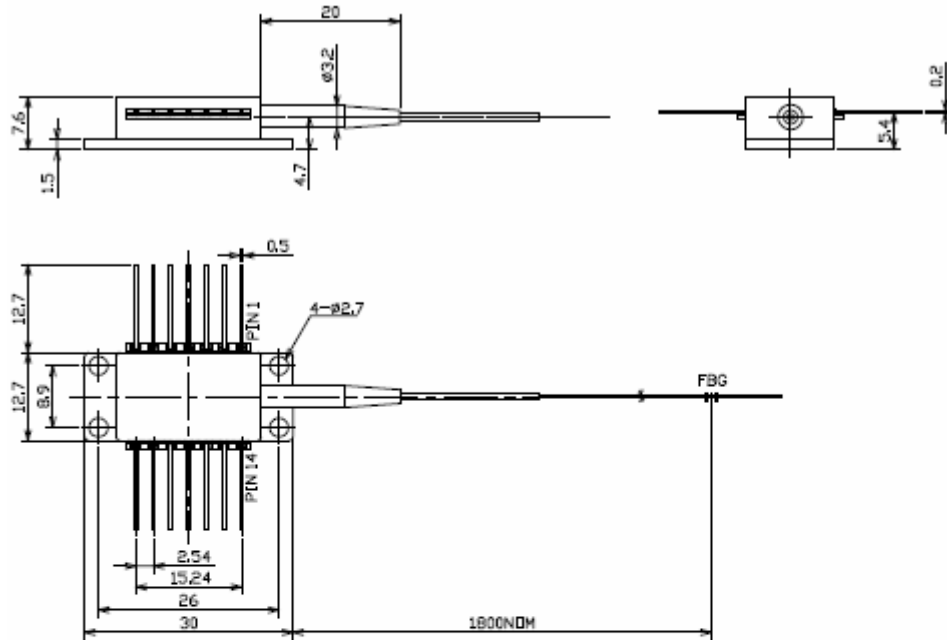
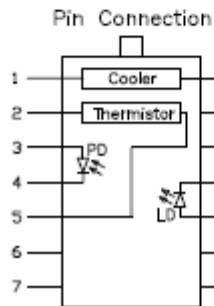


OPTOENERGY

Butterfly Module



UNIT: mm
<No.05020-01>



Pin	Description	Pin	Description
1	Cooler(+)	14	Cooler(-)
2	Thermistor	13	Case ground
3	PD anode	12	NC
4	PD cathode	11	Laser cathode
5	Thermistor	10	Laser anode
6	NC	9	NC
7	NC	8	NC