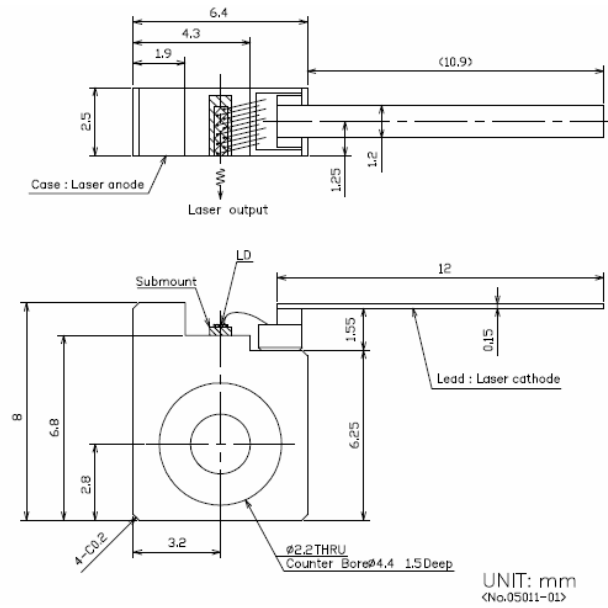


OPTOENERGY

C package : 2.5mm Type



C package : 5mm Type

