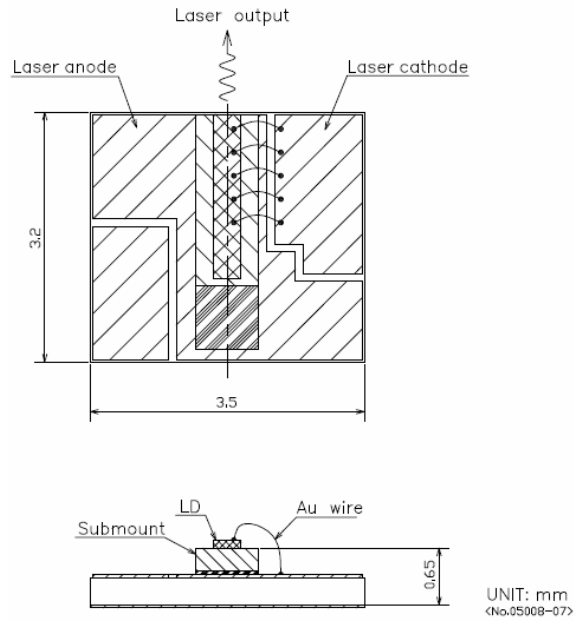


OPTOENERGY

Chip on submount for Singlemode



Chip on submount for Multimode

