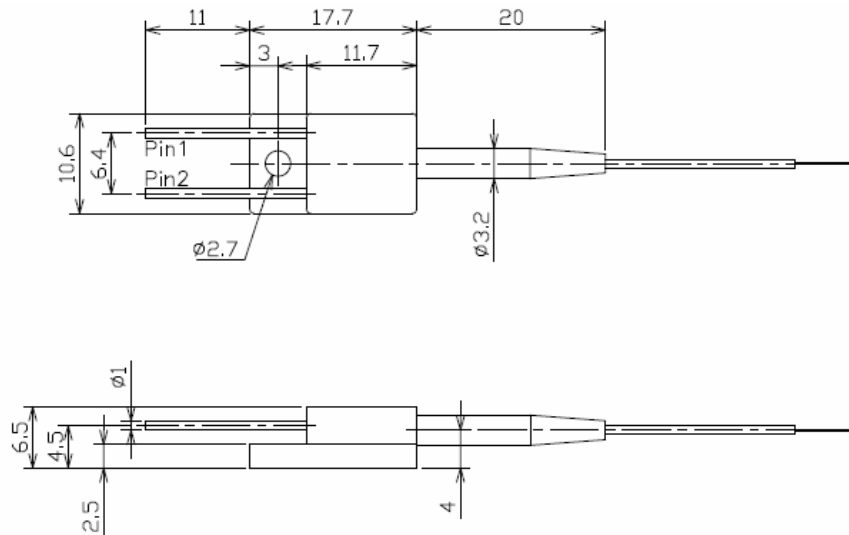


# OPTOENERGY

## TO220 Module



UNIT: mm  
<No.05021-01>

Pin	Description
1	Laser anode
2	Laser cathode