

# OPTOENERGY

## 1030nm Singlemode Laser Diode

9  $\phi$  -CAN



### Product Specifications at 25°C

Type	OE2 series		
Model No.	A3002423092		
Operating light output	P <sub>o</sub>	mW	400
Center wavelength	$\lambda_c$		1030
Threshold current	I <sub>th</sub>	mA	45
Operating current	I <sub>op</sub>	mA	500
Operating voltage	V <sub>op</sub>	V	1.5
Spectral width	$\Delta\lambda$	nm	2
Spectral temperature shift	d $\lambda$ /dT	nm/K	0.3
Far-field parallel FWHM	$\theta_{//}$	deg.	7
Far-field perpendicular FWHM	$\theta_{\perp}$	deg.	34
Polarization			TE

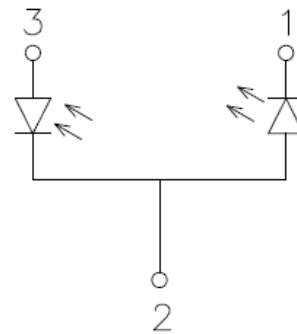
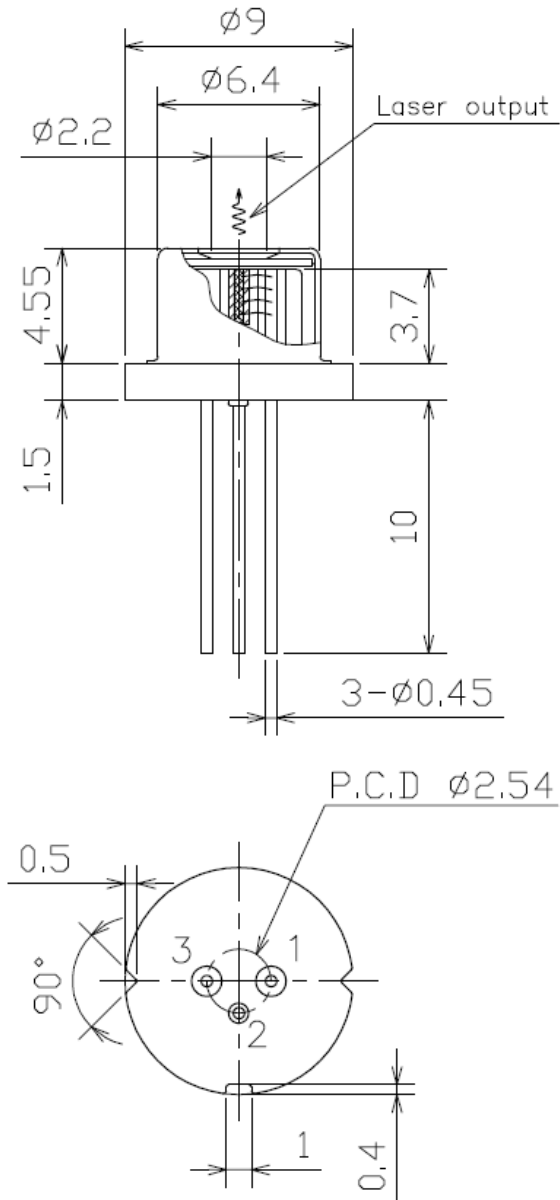
### Absolute Maximum Ratings

			min	max	
Forward current	I <sub>max</sub>	mA	-	800	1030nm
Reverse voltage	V <sub>rmax</sub>	V	-	2.0	
Operating temperature	T <sub>op</sub>	°C	-20	50	
Storage temperature	T <sub>st</sub>	°C	-40	85	
Process temperature	T <sub>pr</sub>	°C	-	250	<5s, Package lead

# OPTOENERGY

## Package

### 9 φ -CAN



Pin	Description
1	Laser cathode
2	Common case
3	Monitor PD anode

UNIT: mm  
<No.05018-01>

## Caution

This laser emits invisible radiation which may be harmful to the eyes.

Avoid direct or reflected light from this device. Because of the small size of these devices, each of the labels is attached to the individual shipping container.

