

# OPTOENERGY

## Fiber Coupled 1040nm Super Luminescent Diode

### 14pin Butterfly Module



### Product Specifications at 25°C

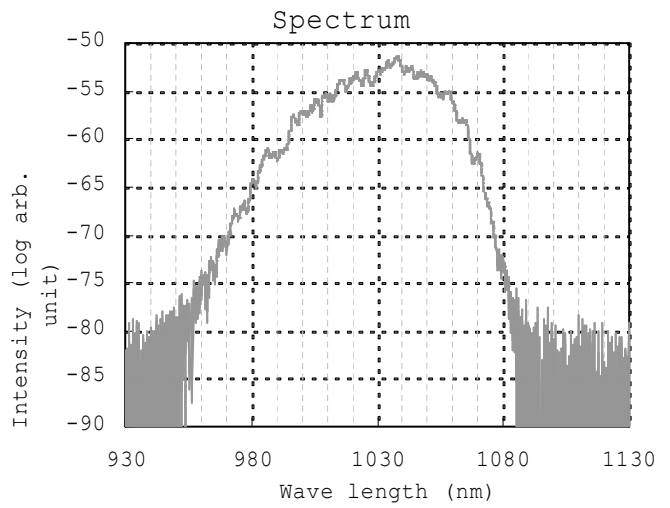
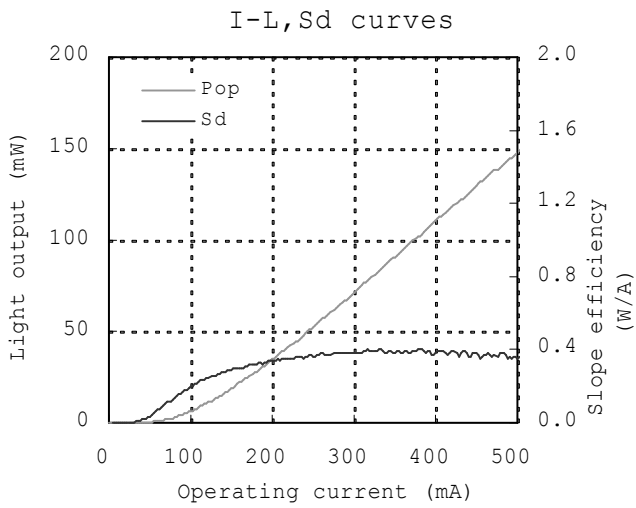
Type	SLD series		
Model No.	A40102230M7		
Operating current	I <sub>op</sub>	mA	500
Forward Voltage	V <sub>op</sub>	V	1.7
Fiber output	P <sub>f</sub>	mW	150
Center Wavelength	λ <sub>c</sub>	nm	1040
Spectral Width(-10dB)	Δλ	nm	70
TEC Current	I <sub>TEC</sub>	A	1.2
TEC Voltage	V <sub>TEC</sub>	V	1.7
Thermistor Resistance	R <sub>th</sub>	kohm	10
Thermistor Constant	B	K	3950
Fiber Type	PMF		

### Absolute Maximum Ratings

			min	max	
Storage Temp	T <sub>st</sub>	°C	-40	85	
Operating Case Temp	T <sub>op</sub>	°C	-20	70	
Soldering Temp(max.10sec.)		°C		250	5s, Lead soldering
LD Forward Current	I <sub>max</sub>	mA		800	
LD Reverse Voltage	V <sub>rmax</sub>	V		2	
TEC Current	I <sub>tecmax</sub>	A		1.8	
TEC Voltage	V <sub>tec.max</sub>	V		3	
ESD Damage(Human body model)	V			500	
Fiber Pigtail Bend Radius	mm		25		

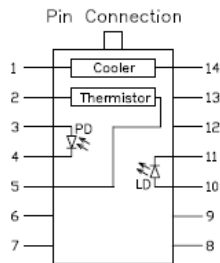
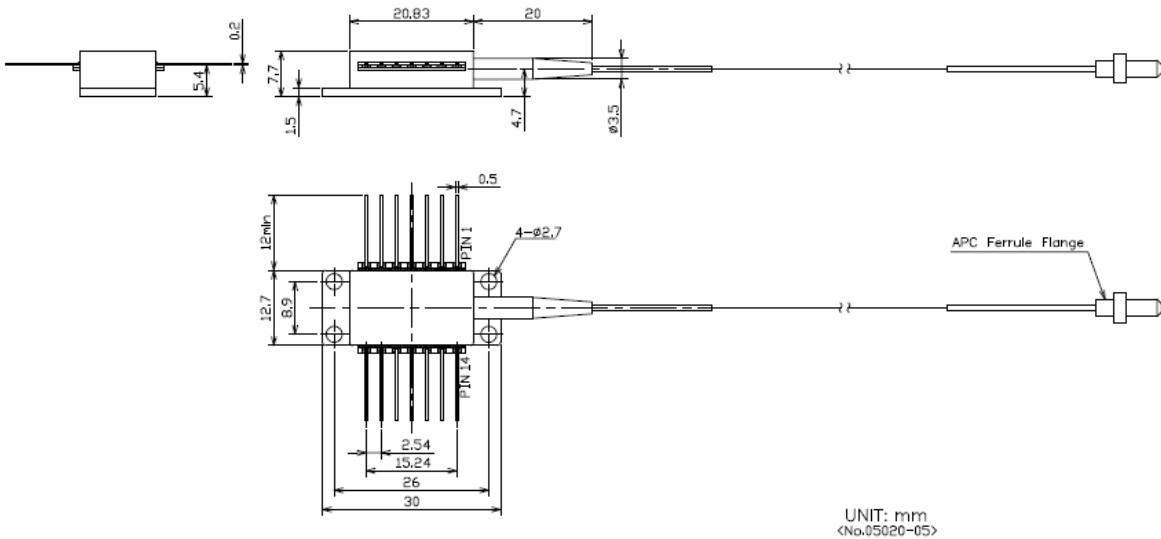
# OPTOENERGY

## Typical Characteristics



# OPTOENERGY

## Package 14pin Butterfly Module



For Singlemode

Pin	Description	Pin	Description
1	Cooler(+)	14	Cooler(-)
2	Thermistor	13	Case ground
3	PD anode	12	NC
4	PD cathode	11	Laser cathode
5	Thermistor	10	Laser anode
6	NC	9	NC
7	NC	8	NC

### Caution

This laser emits invisible radiation which may be harmful to the eyes. Avoid direct or reflected light from this device. Because of the small size of these devices, each of the labels is attached to the individual shipping container.

