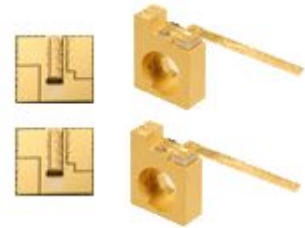


1064nm Singlemode Laser Diode

Chip on submount / C package



Product Specifications at 25°C

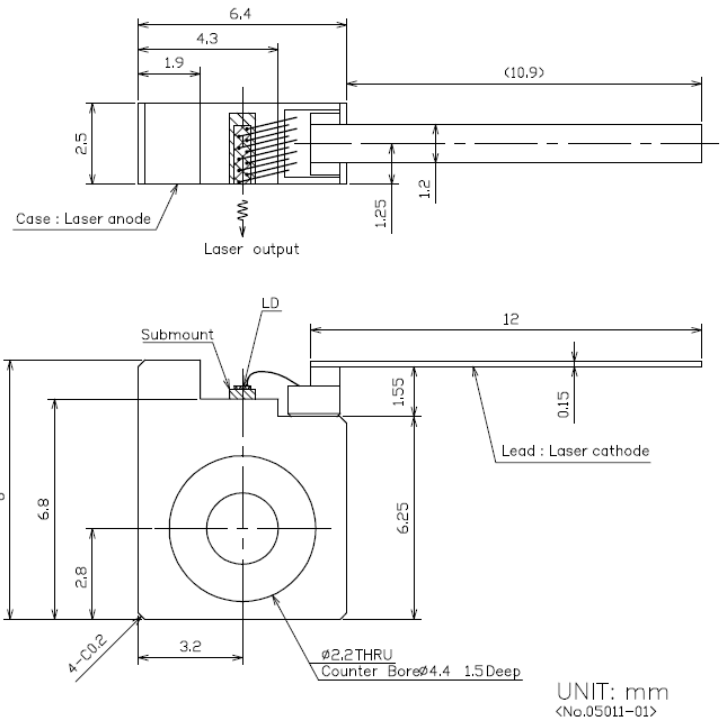
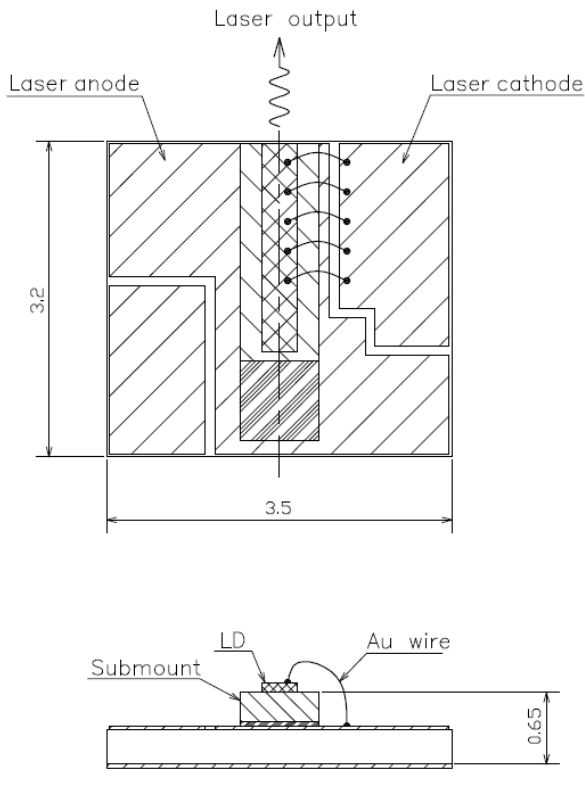
Type	OE3 series		
Model No.	A64037230S/C		
Operating light output	P _o	mW	700
Center wavelength	λ _c		1064
Threshold current	I _{th}	mA	70
Operating current	I _{op}	mA	1000
Operating voltage	V _{op}	V	1.6
Spectral width	Δλ	nm	2
Spectral temperature shift	dλ/dT	nm/K	0.3
Far-field parallel FWHM	θ//	deg.	8
Far-field perpendicular FWHM	θ⊥	deg.	27
Polarization	TE		

Absolute Maximum Ratings

			min	max	
Forward current	I _{max}	mA	-	1300	1064nm
Reverse voltage	V _{rmax}	V	-	2.0	
Operating temperature	T _{op}	°C	-20	50	
Process temperature	T _{pr}	°C	-	250	5s, Chip on submount
			-	250	5s, C package lead

OPTOENERGY

Package COS/C package



Caution

This laser emits invisible radiation which may be harmful to the eyes.

Avoid direct or reflected light from this device. Because of the small size of these devices, each of the labels is attached to the individual shipping container.

