

Fiber Coupled 400mW 1064nm Singlemode Laser Module

14pin Butterfly Module



Product Specifications at 25°C

Type	OE3 series		
Model No.	A64034230M		
Fiber output	Pf	mW	400
Center wavelength	λ_c	nm	1064
Threshold current	Ith	mA	60/65
Operating current	Iop	mA	750/700
Operating voltage	Vop	V	1.7
Fiber Bragg Grating	with/without		
Spectral width	$\Delta\lambda$	nm	<1.0/ -
Fiber type	SM/PMF		
	Lfiber	m	2.0
Monitor PD reverse bias	VRpd	V	5
Monitor PD response	Rpd	mA/W	1
Thermistor temperature	Ts	C	25
Case temperature	Tc	C	75
TEC current	Itec	A	1.4
TEC voltage	Vtec	V	2.2
Thermistor resistance	TR	kohm	10
Thermistor B constant	TB	K	3950

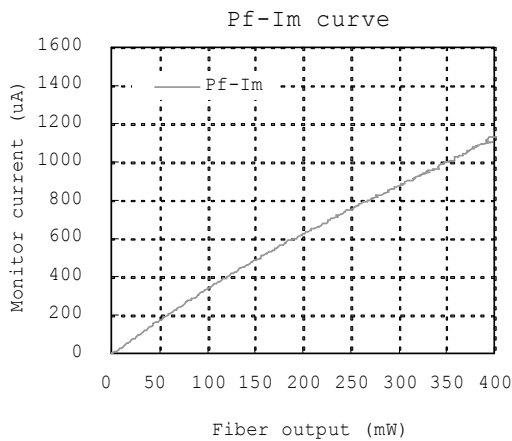
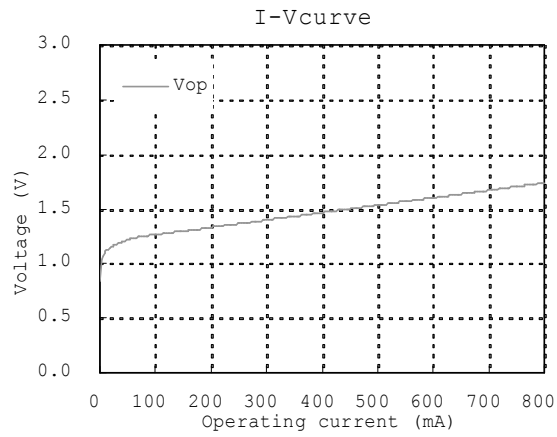
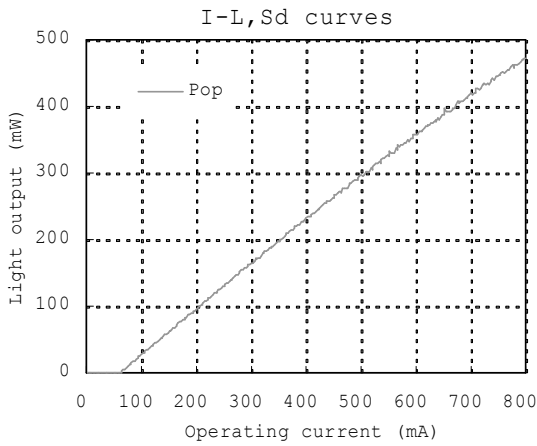
OPTOENERGY

Absolute Maximum Ratings

			min	max	
Forward current	I_{max}	mA	-	800	
Reverse voltage	V_{rmax}	V	-	2.0	
Operating temperature	T_{op}	°C	-20	75	
Storage temperature	T_{st}	°C	-40	85	
PD reverse voltage	V_{rmax}	V	-	10.0	
TEC current	I_{tecmax}	A	-	2.5	
TEC voltage	V_{tecmax}	V	-	3.2	
Process temperature	T_{pr}	°C	-	250	<5s, Package lead

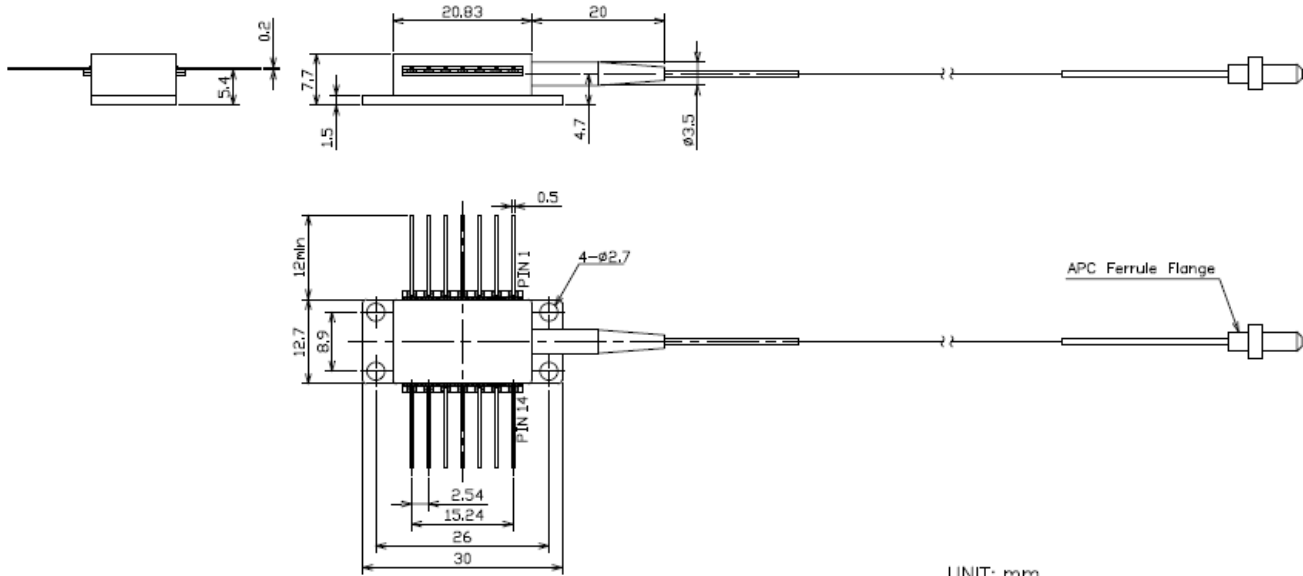
Typical Characteristics

1064nm SM

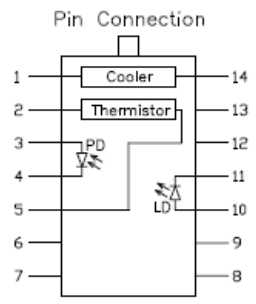


OPTOENERGY

Package 14pin Butterfly Module



UNIT: mm
<No.05020-05>



For Singlemode

Pin	Description	Pin	Description
1	Cooler(+)	14	Cooler(-)
2	Thermistor	13	Case ground
3	PD anode	12	NC
4	PD cathode	11	Laser cathode
5	Thermistor	10	Laser anode
6	NC	9	NC
7	NC	8	NC

Caution

This laser emits invisible radiation which may be harmful to the eyes. Avoid direct or reflected light from this device. Because of the small size of these devices, each of the labels is attached to the individual shipping container.

