

Fiber Coupled 1064nm Singlemode Laser Module

14pin Butterfly Module for Pulse Operation*

Product Specifications at 25°C

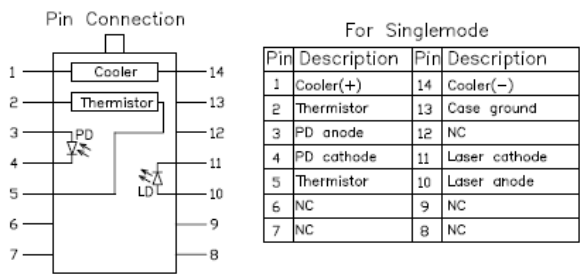
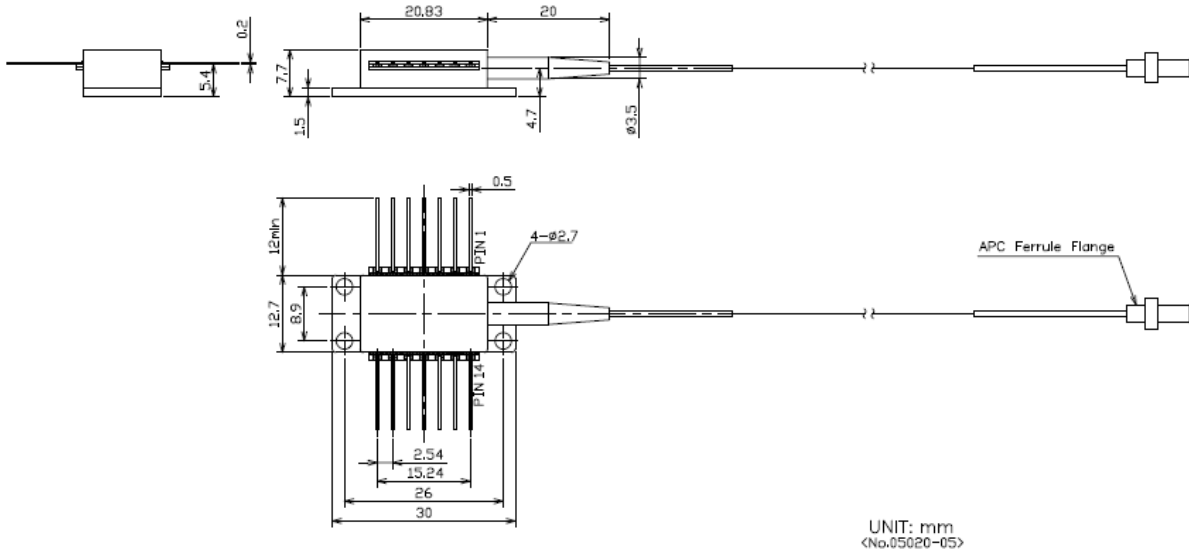
Type	OE3 series		
Model No.	A64034230M		
Fiber output	Pf	mW	1000
Center wavelength	λ_c	nm	1064
Rise and fall time		ns	< 5
Threshold current	I _{th}	mA	60/65
Operating current	I _{op}	mA	2000
Operating voltage	V _{op}	V	2.0
Fiber Bragg Grating			with/without
Spectral width	$\Delta\lambda$	nm	0.5/3.0
Pulse width		ns	5~500
Repetition rate		kHz	~500
Duty		%	2.0 (max)
Fiber type			SM(HI1060)
Fiber length	L _{fiber}	m	2.0
Monitor PD reverse bias	V _{Rpd}	V	5
Monitor PD response	R _{pd}	mA/W	1
Thermistor temperature	T _s	C	25
Case temperature	T _c	C	75
TEC current	I _{tec}	A	1.4
TEC voltage	V _{tec}	V	2.2
Thermistor resistance	T _R	kohm	10
Thermistor B constant	T _B	K	3950

Absolute Maximum Ratings

			min	max	
Forward current	I _{max}	mA	-	2500	
Reverse voltage	V _{rmax}	V	-	2.0	
Operating temperature	T _{op}	°C	-20	75	
Storage temperature	T _{st}	°C	-40	85	
PD reverse voltage	V _{rmax}	V	-	10.0	
TEC current	I _{tecmax}	A	-	2.5	
TEC voltage	V _{tecmax}	V	-	3.2	
Process temperature	T _{pr}	°C	-	250	<5s, Package lead

OPTOENERGY

Package 14pin Butterfly Module



Caution

This laser emits invisible radiation which may be harmful to the eyes. Avoid direct or reflected light from this device. Because of the small size of these devices, each of the labels is attached to the individual shipping container.

