

Fiber Coupled 808 nm 15W Laser Module

2pin Package Module

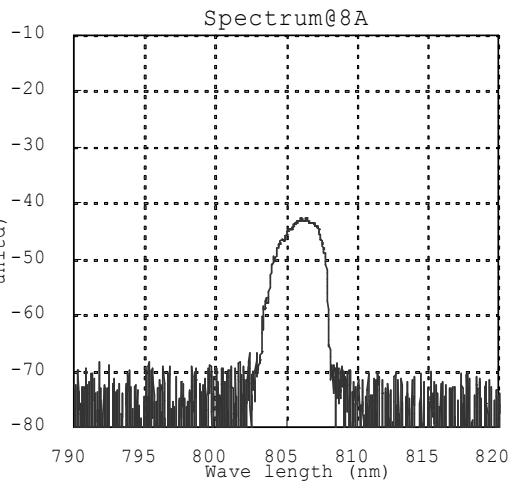
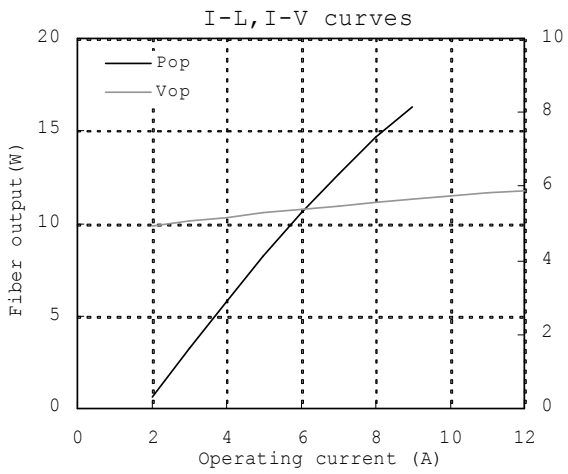
Product Specifications at 25°C

Type	OE808G3		
Model No.	808032422M9		
Fiber light output	Pf	W	15
Center wavelength	λ_c	nm	808
Threshold current	I _{th}	A	1.6
Operating current	I _{op}	A	8.5
Operating voltage	V _{op}	V	6
Spectral width	$\Delta\lambda$	nm	3
Spectral temperature shift	d λ /dT	nm/K	0.3
Fiber Length	L _{fiber}	m	1.5
Fiber Core diameter	ϕ_{core}	um	200
Fiber Clad diameter	ϕ_{clad}	um	220
Fiber Buffer diameter	$\phi_{buff.}$	um	250
Fiber N.A.	-	-	0.22

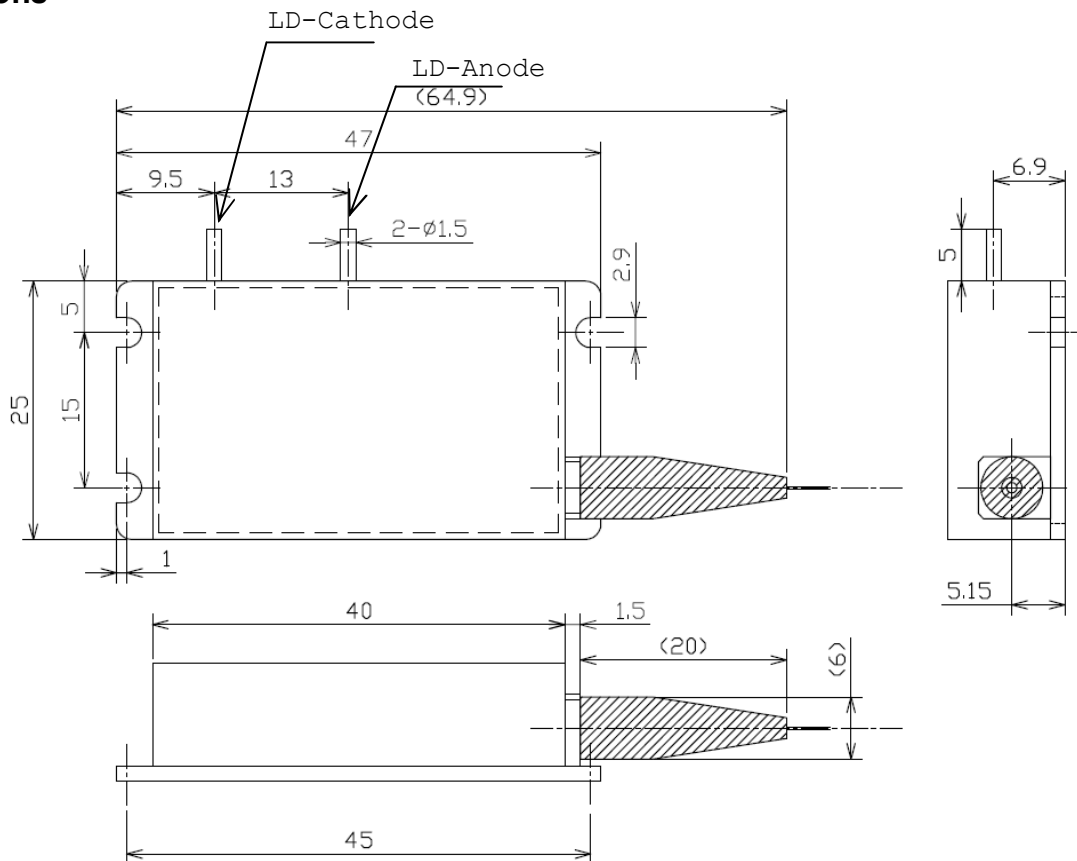
Absolute Maximum Ratings

			min	max	
Forward current	I _{max}	A	-	12	
Reverse voltage	V _{rmax}	V	-	2	
Operating temperature	T _{op}	°C	15	50	
Storage temperature	T _{st}	°C	-40	85	
Process temperature	T _{pr}	°C	-	250	5s, package lead
ESD	V		-	500	Human Body Model

OPTOENERGY



Dimensions



Caution

This laser emits invisible radiation which may be harmful to the eyes. Avoid direct or reflected light from this device.

