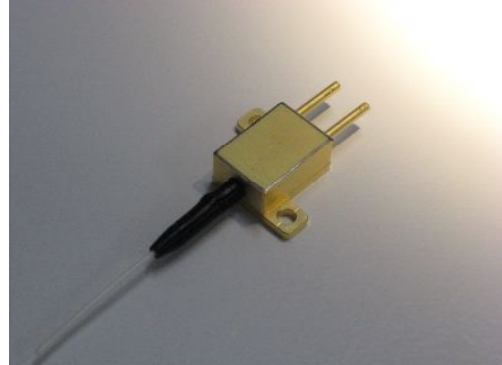


## Fiber Coupled 808 nm Multimode Laser Module

### 2pin Package Module



### Product Specifications at 25°C

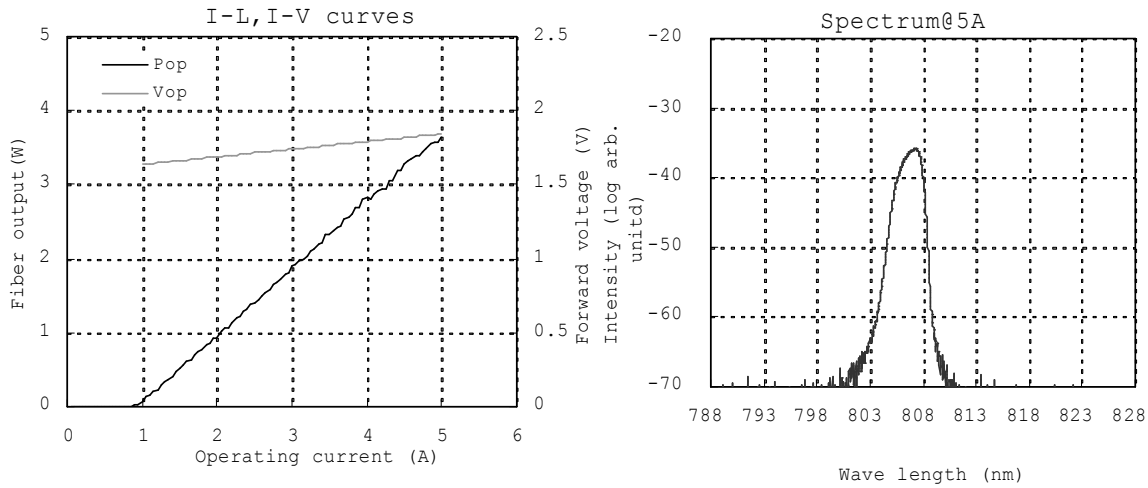
Type	OE808G3		
Model No.	808034312M6		
Fiber light output	Pf	W	3.5
Center wavelength	$\lambda_c$	nm	808
Threshold current	I <sub>th</sub>	A	0.9
Operating current	I <sub>op</sub>	A	5
Operating voltage	V <sub>op</sub>	V	1.8
Spectral width	$\Delta\lambda$	nm	2
Spectral temperature shift	$d\lambda/dT$	nm/K	0.3
Fiber specification	L <sub>fiber</sub>	m	1.0
Fiber Core diameter	$\phi_{core}$	um	100
Fiber Clad diameter	$\phi_{clad}$	um	105
Fiber N.A.	-	-	0.22

### Absolute Maximum Ratings

			min	max	
Forward current	I <sub>max</sub>	A	-	6	OE808G3
Reverse voltage	V <sub>rmax</sub>	V	-	2	
Operating temperature	T <sub>op</sub>	°C	15	50	
Storage temperature	T <sub>st</sub>	°C	-40	85	
Process temperature	T <sub>pr</sub>	°C	-	250	5s, package lead
ESD		V	-	500	Human Body Model

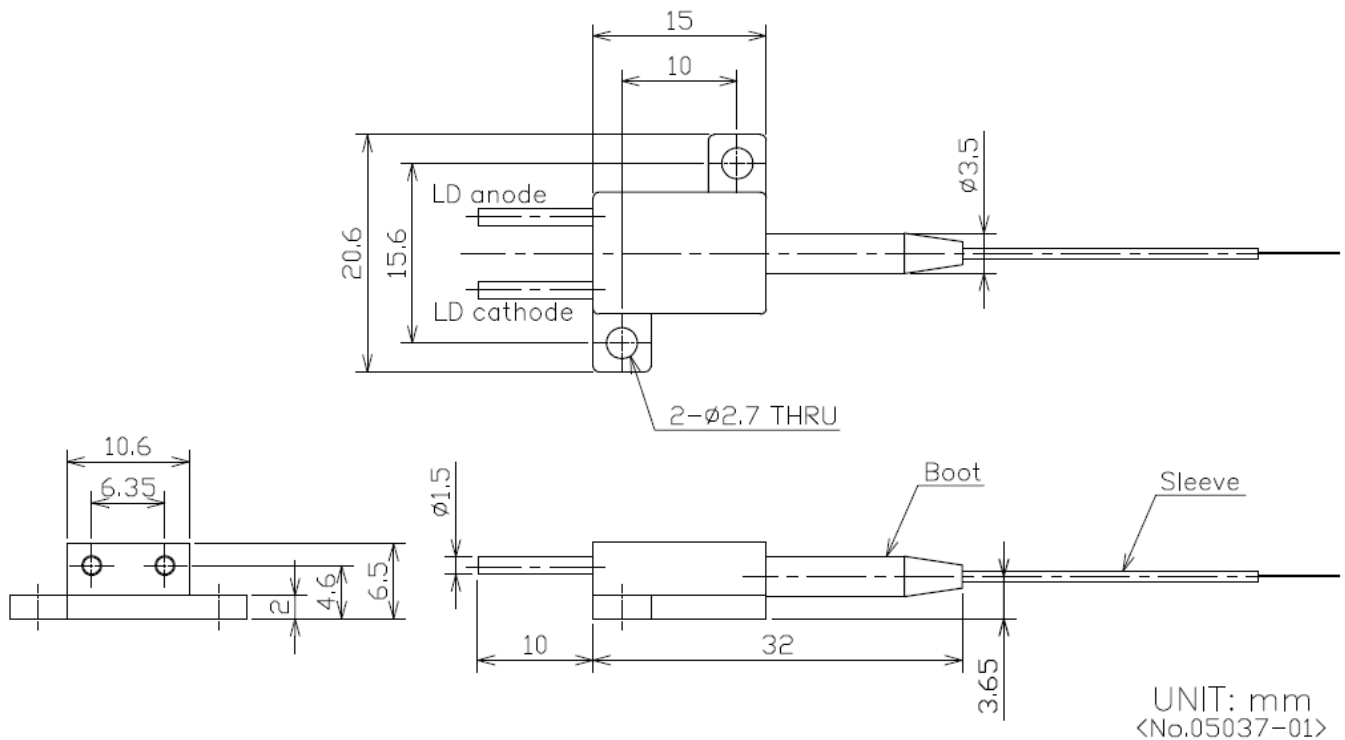
# OPTOENERGY

## Typical Characteristics



## Package

### 2pin Package Module



### Caution

This laser emits invisible radiation which may be harmful to the eyes. Avoid direct or reflected light from this device. Because of the small size of these devices, each of the labels is attached to the individual shipping container.

