

High-Power 808 nm Multimode Laser

5.6 ϕ -CAN

Emitter width 50um is available upon request



Product Specifications at 25°C

Type	OE808G3H Series		
Model No.	80803821251		
Operating light output	Po	W	0.8
Center wavelength	λ_c	nm	808
Emitter width	Wa	um	100
Cavity Length	L	mm	1.8
Threshold current	Ith	A	0.5
Slope efficiency	η_s	W/A	1.0
Operating current	Iop	A	1.3
Operating voltage	Vop	V	1.7
Spectral width	$\Delta\lambda$	nm	2
Spectral temperature shift	$d\lambda/dT$	nm/K	0.3
Far-field parallel FWHM	$\theta_{//}$	deg.	7
Far-field perpendicular FWHM	θ_{\perp}	deg.	33
Polarization			TE

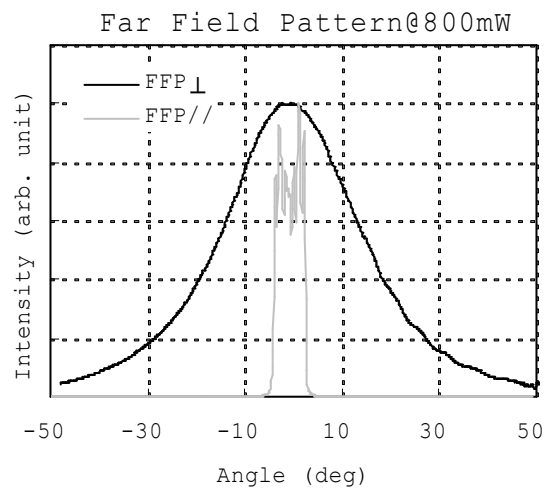
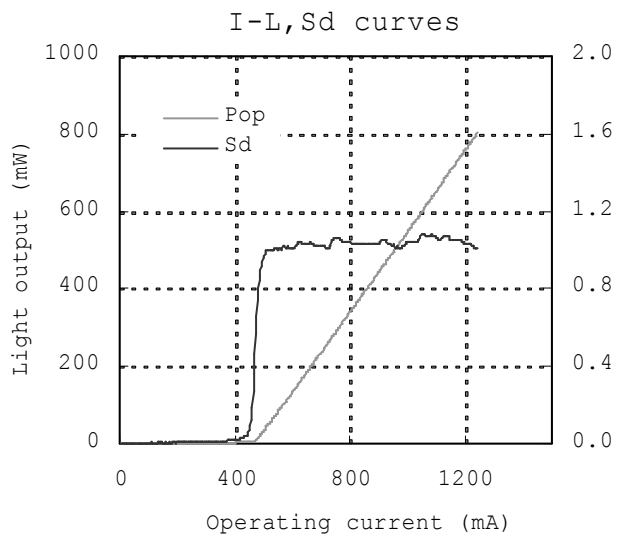
Absolute Maximum Ratings

			min	max	
Forward current	I _{max}	A	-	1.5	OE808G3H
Reverse voltage	V _{rmax}	V	-	2	
Operating temperature	T _{op}	°C	-20	50	
Storage temperature	T _{st}	°C	-40	85	
Process temperature	T _{pr}	°C	-	250	5s, Package Lead
ESD		V	-	500	Human Body Model

OPTOENERGY

Typical Characteristics

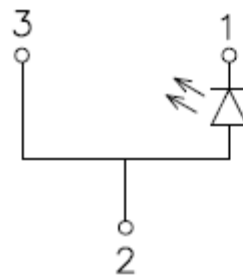
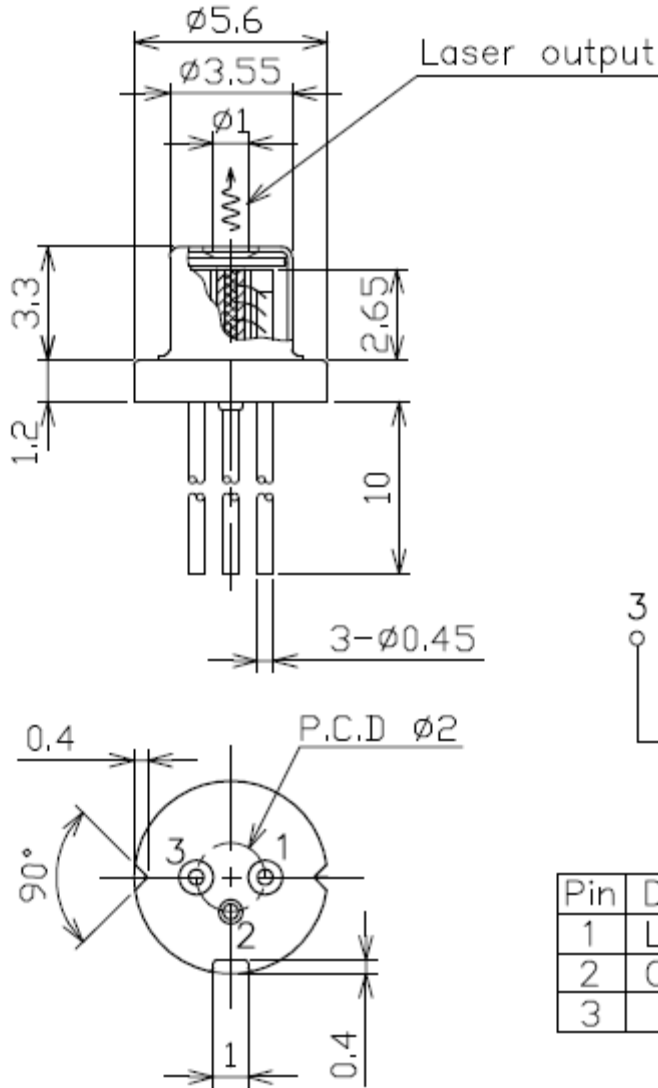
L-I / FFP



OPTOENERGY

Package

5.6 ϕ -package



Pin	Description
1	Laser cathode
2	Common case
3	

UNIT: mm
<No.05019-02>

Caution

This laser emits invisible radiation which may be harmful to the eyes.

Avoid direct or reflected light from this device. Because of the small size of these devices, each of the labels is attached to the individual shipping container.

