

## High-Power 808 nm Multimode Laser

Chip on submount / C package



### Product Specifications at 25°C

Type	OE808G3 Series					
Model No.			808032312	808035312	808031422	
Operating light output	Po	W	2	5	10	
Center wavelength	$\lambda_c$	nm	808	808	808	
Emitter width	Wa	um	100	100	190	
Cavity Length	L	mm	1.8	4	4	
Threshold current	Ith	A	0.5	0.9	1.6	
Slope efficiency	$\eta_s$	W/A	1.2	1.1	1.1	
Operating current	Iop	A	2.1	5.4	11	
Operating voltage	Vop	V	1.8	1.9	1.9	
Spectral width	$\Delta\lambda$	nm	2	2	2	
Spectral temperature shift	$d\lambda/dT$	nm/K	0.3	0.3	0.3	
Far-field parallel FWHM	$\theta_{//}$	deg.	7	8	11	
Far-field perpendicular FWHM	$\theta_{\perp}$	deg.	33	30	30	
Polarization			TE	TE	TE	

### Absolute Maximum Ratings

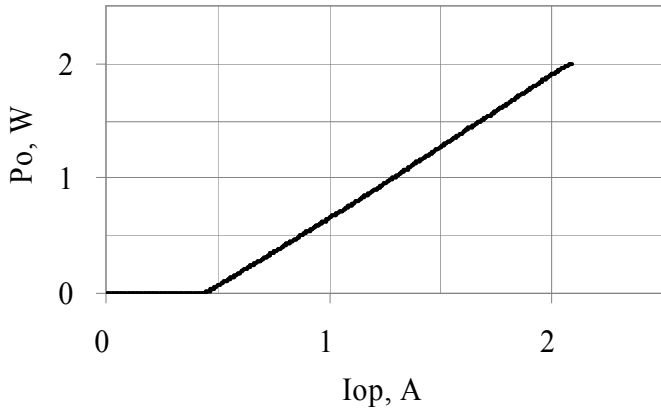
			min	max		
Forward current	I <sub>max</sub>	A	-	3	OE808G3	808032312
				7		808035312
				12		808031422
Reverse voltage	V <sub>rmax</sub>	V	-	2		
Operating temperature	T <sub>op</sub>	°C	-20	50	non condensing	
Process temperature	T <sub>pr</sub>	°C	-	250	5s, Chip on submount	
			-	250	5s, C package lead	
ESD	v		-	500	Human Body Model	

# OPTOENERGY

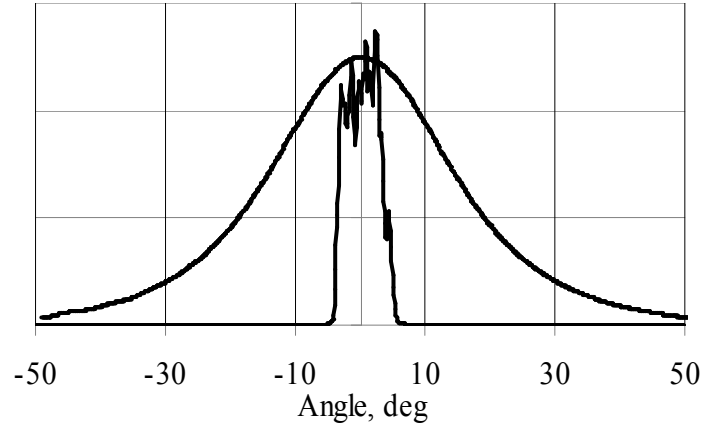
## Typical Characteristics

L-I / FFP

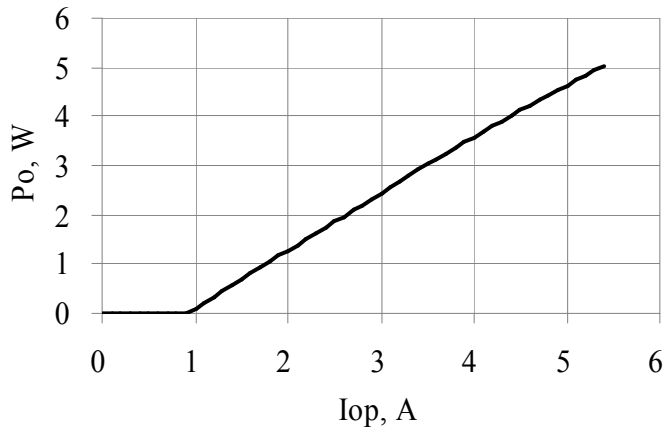
808032312



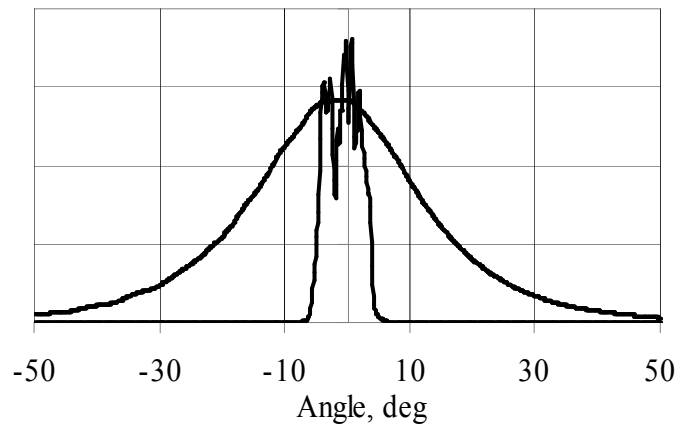
FFP-v@2W,25C



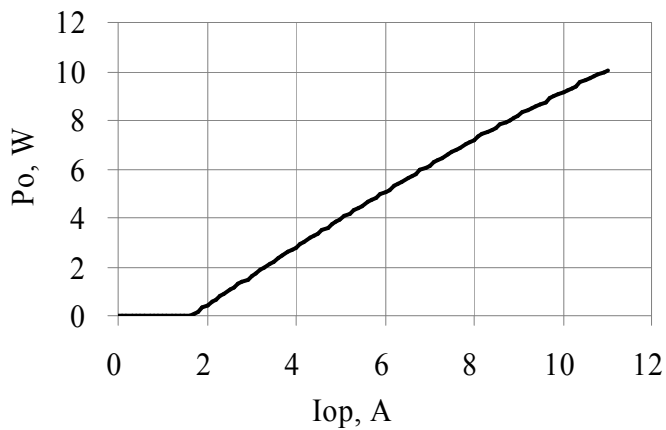
808035312



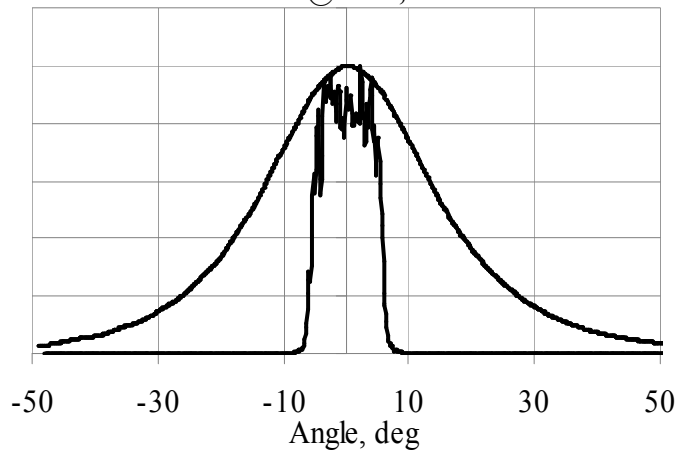
FFP-v@5W,25C



808031422



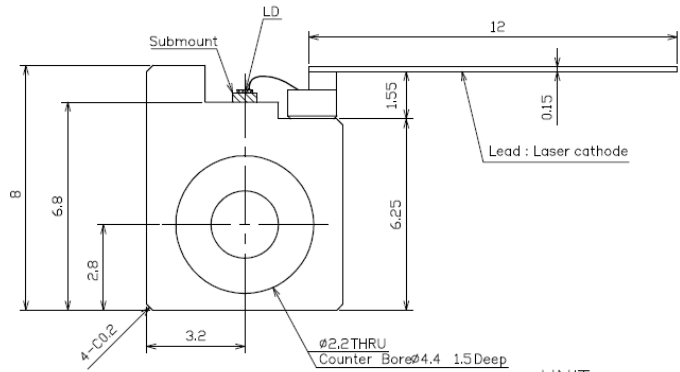
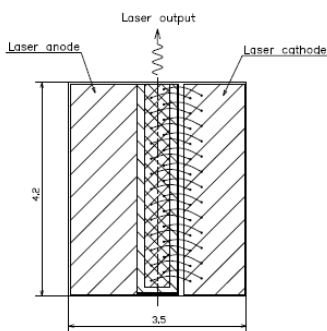
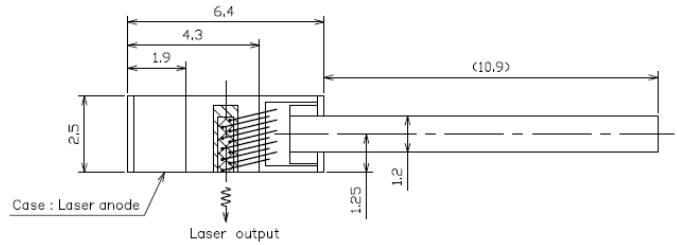
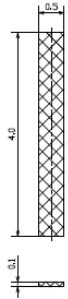
FFP@10W,25C



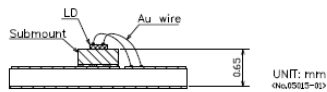
## Package

# OPTOENERGY

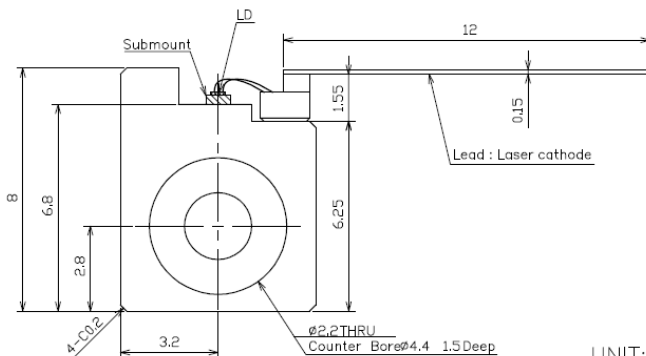
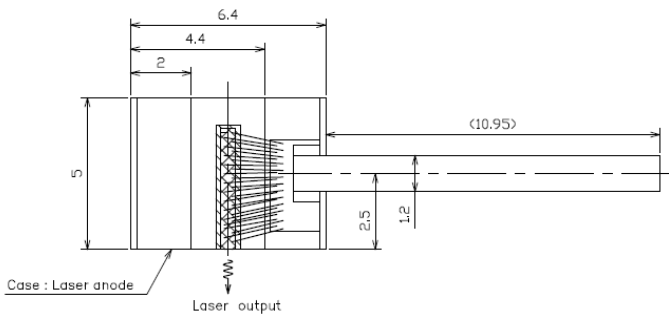
## COS/C package



UNIT: mm  
<No.05011-01>



UNIT: mm  
<No.05015-02>



UNIT: mm  
<No.05022-01>

### Caution

This laser emits invisible radiation which may be harmful to the eyes. Avoid direct or reflected light from this device. Because of the small size of these devices, each of the labels is attached to the individual shipping container.

