

30W, 70W Fiber Coupled 915 nm Laser Diode Module

940,975nm Available



70W - 7 Fiber Bundle



30W - 3 Fiber Bundle

Product Specifications at 25°C

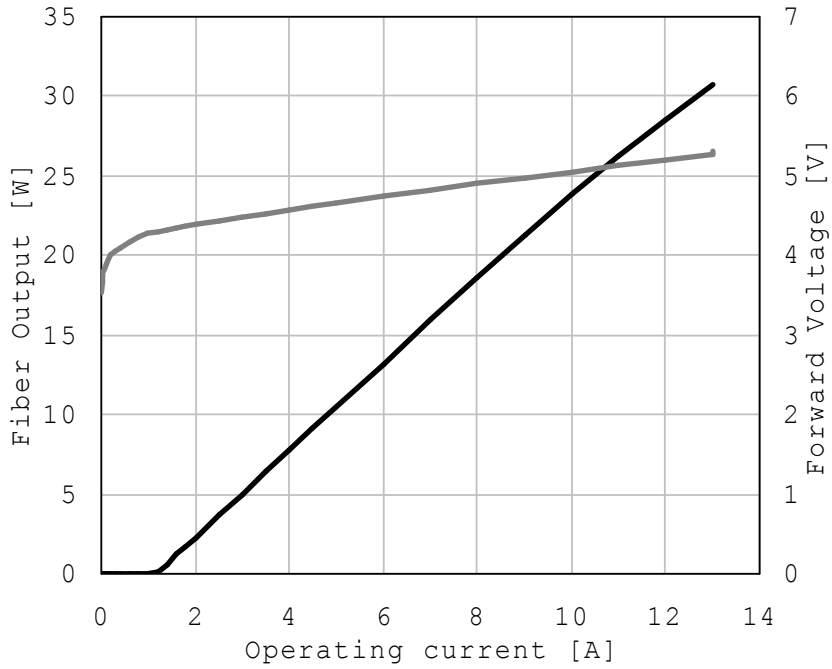
Type			OE915G4	
			3 Fiber Bundle	7 Fiber Bundle
Model No.			915043412B2	915047412B3
Fiber light output	Pf	W	30	70
Center wavelength	λ_c	nm	915	915
Threshold current	I _{th}	A	1.2	1.2
Operating current	I _{op}	A	13.5	13.5
Operating voltage	V _{op}	V	5.5	13.0
Spectral width(FWHM)	$\Delta\lambda$	nm	5	7
Spectral temperature shift	d λ /dT	nm/K	0.3	0.3
Fiber specification	L _{fiber}	m	1.3	1.3
Fiber Bundle diameter	ϕ_b	um	270	380
Fiber N.A.	-	-	0.22	0.22
Connector Assembly	-	-	SMA905	SMA905

Absolute Maximum Ratings

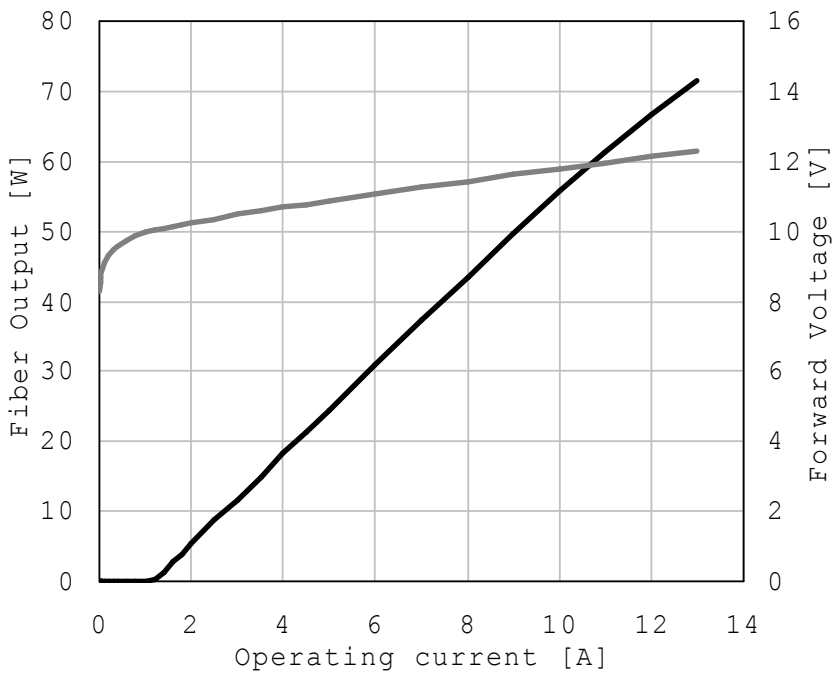
			min	max
Forward current	I _{max}	A	-	15.0
Reverse voltage	V _{rmax}	V	-	2.0
Operating temperature	T _{op}	°C	-20	50
Storage temperature	T _{st}	°C	-40	85

OPTOENERGY

Typical Characteristics



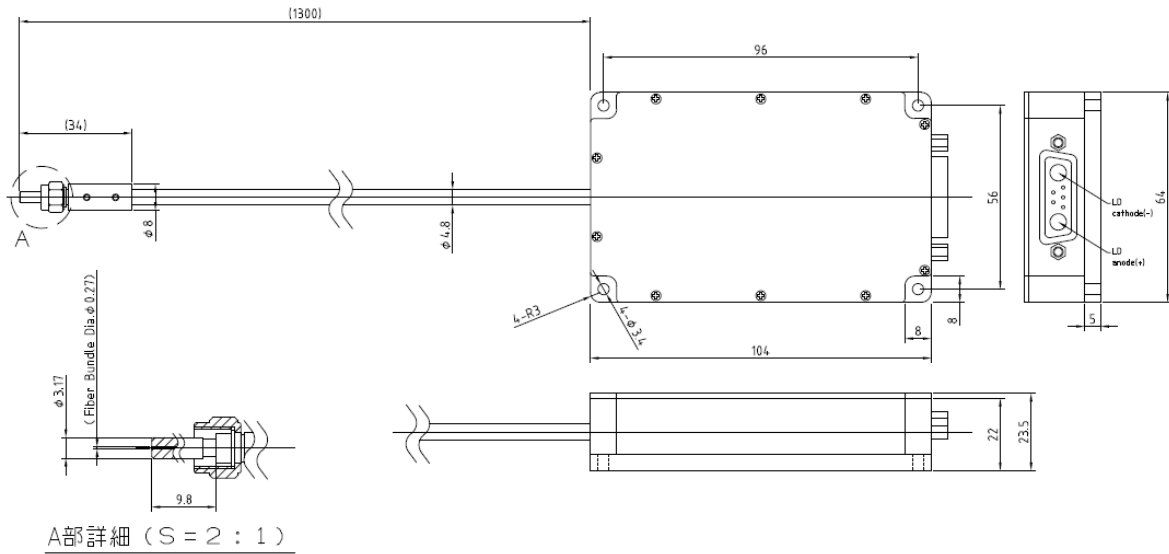
30W 3 fiber bundle (915033412B2)



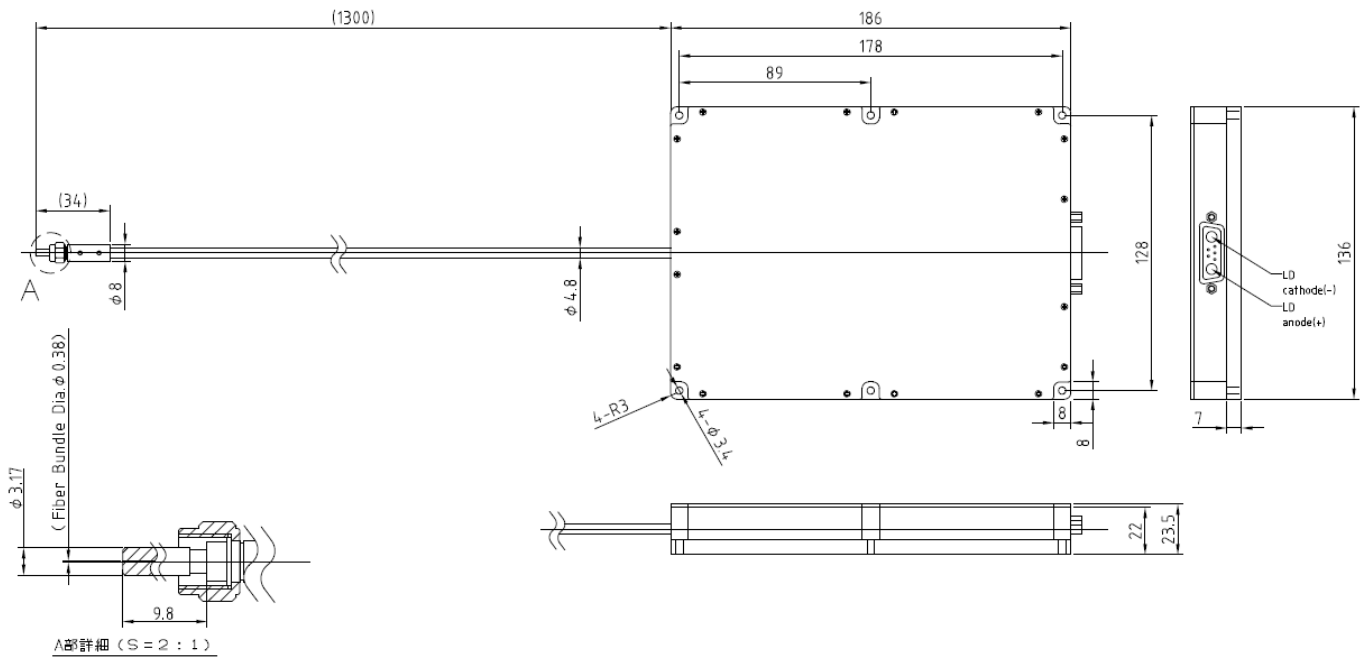
70W 7 fiber bundle (915037412B3)

OPTOENERGY

Package Drawing



30W 3 fiber bundle (915033412B2)



70W 7 fiber bundle (915037412B3)

unit : mm

Caution

This laser emits invisible radiation which may be harmful to the eyes.
Avoid direct or reflected light from this device.

