

High-Power 915 nm Multimode Laser

5.6 ϕ -CAN

940, 975nm Available



Product Specifications at 25°C

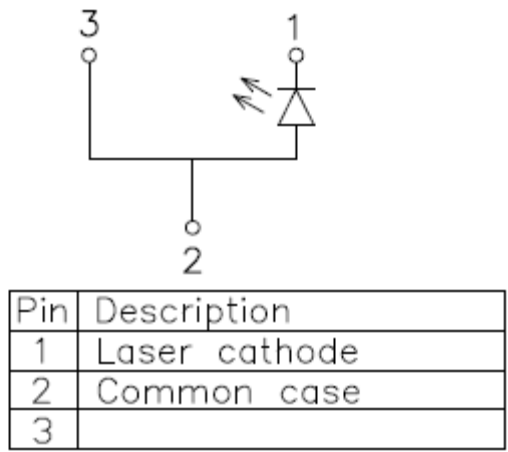
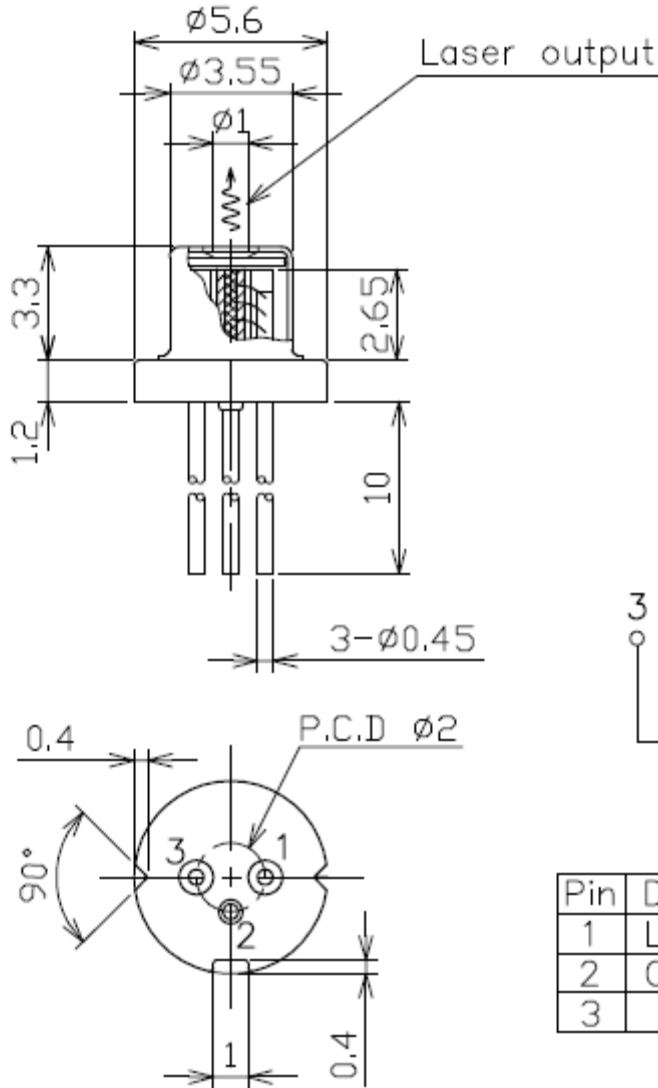
Type	OE915G1 Series		
	91501821251		
Operating light output	Po	W	0.8
Center wavelength	λ_c		915
Emitter aperture width	Wa	um	100
Threshold current	Ith	A	0.45
Slope efficiency	η_s	W/A	0.9
Operating current	Iop	A	1.3
Operating voltage	Vop	V	1.6
Spectral width	$\Delta\lambda$	nm	2
Spectral temperature shift	$d\lambda/dT$	nm/K	0.3
Far-field parallel FWHM	$\theta_{//}$	deg.	6
Far-field perpendicular FWHM	θ_{\perp}	deg.	34
Polarization			TE

Absolute Maximum Ratings

			min	max		
Forward current	I _{max}	A	-	1.5	ϕ 5.6CAN	100u aperture
Reverse voltage	V _{rmax}	V	-	2.0		
Operating temperature	T _{op}	°C	-20	50		
Storage temperature	T _{st}	°C	-40	85		
Process temperature	T _{pr}	°C	-	250	<5s, Package lead	

OPTOENERGY

Package 5.6 ϕ -CAN



Pin	Description
1	Laser cathode
2	Common case
3	

UNIT: mm
<No.05019-02>

Caution

This laser emits invisible radiation which may be harmful to the eyes. Avoid direct or reflected light from this device. Because of the small size of these devices, each of the labels is attached to the individual shipping container.

