

### Fiber Coupled 915 nm 25W Laser Module

#### 2pin Package Module

940, 975nm Available

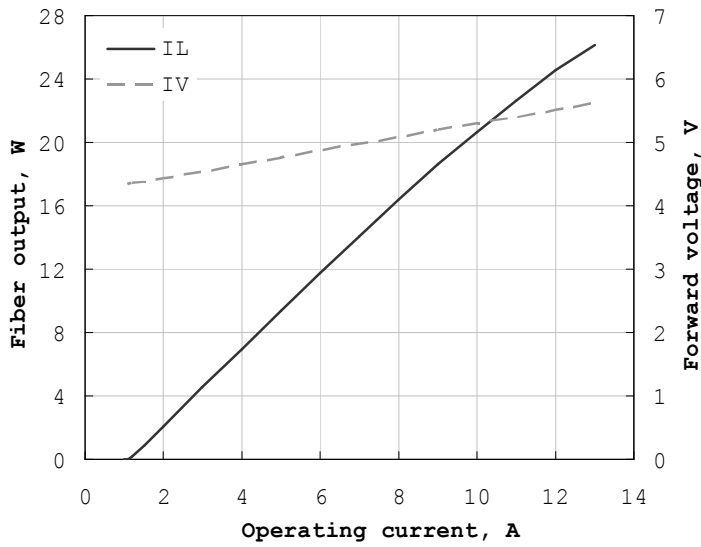
#### Product Specifications at 25°C

Type	OE915G4		
Model No.	915043412M9		
Fiber light output	Pf	W	25
Center wavelength	$\lambda_c$	nm	915
Threshold current	I <sub>th</sub>	A	1.2
Operating current	I <sub>op</sub>	A	12.0
Operating voltage	V <sub>op</sub>	V	6
Spectral width	$\Delta\lambda$	nm	5
Spectral temperature shift	$d\lambda/dT$	nm/K	0.3
Fiber Length	L <sub>fiber</sub>	m	1.0
Fiber Core diameter	$\phi_{core}$	um	105
Fiber Clad diameter	$\phi_{clad}$	um	125
Fiber Buffer diameter	$\phi_{buff.}$	um	250
Fiber N.A.	-	-	0.22

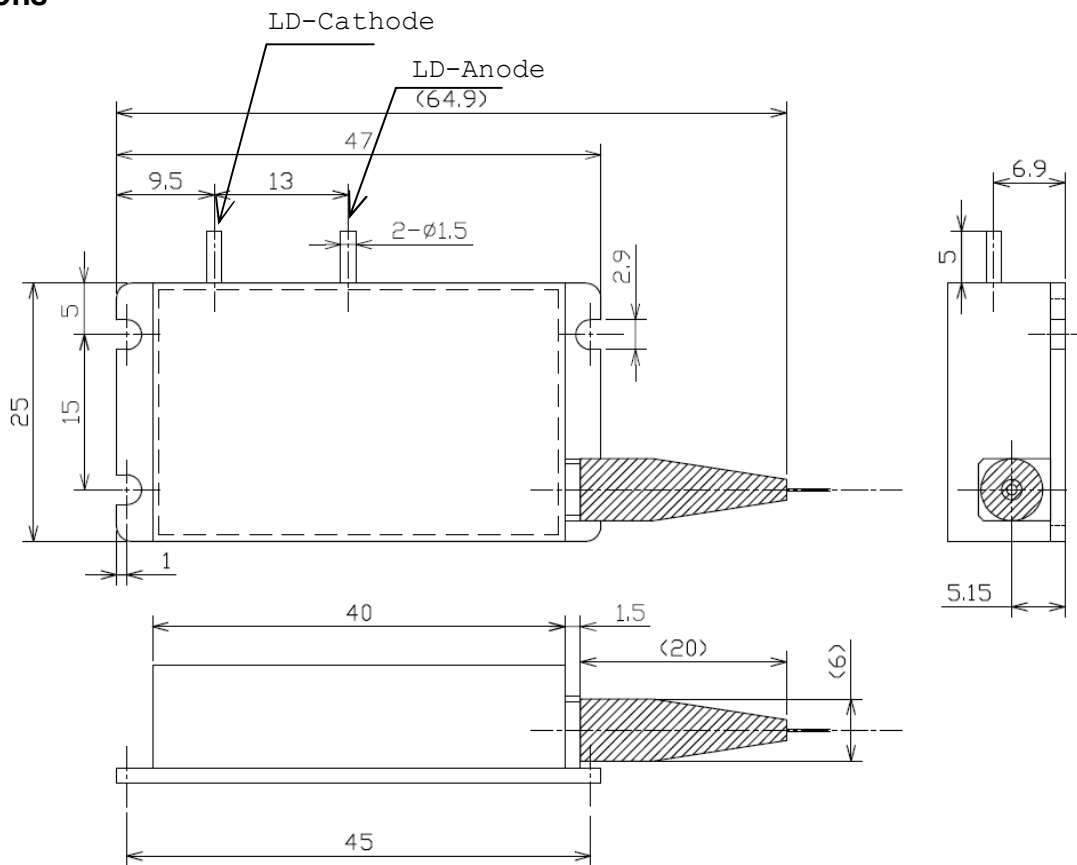
#### Absolute Maximum Ratings

			min	max	
Forward current	I <sub>max</sub>	A	-	15.0	
Reverse voltage	V <sub>rmax</sub>	V	-	2.0	
Operating temperature	T <sub>op</sub>	°C	15	50	
Storage temperature	T <sub>st</sub>	°C	-40	85	
Process temperature	T <sub>pr</sub>	°C	-	250	5s, package lead
ESD	V		-	500	Human Body Model

# OPTOENERGY



## Dimensions



## Caution

This laser emits invisible radiation which may be harmful to the eyes. Avoid direct or reflected light from this device.

