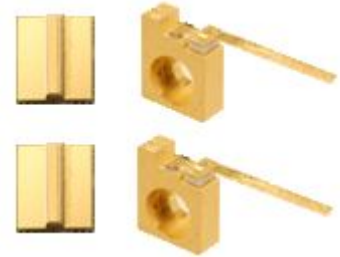


High-Power 940 nm Multimode Laser

Bare Chip / Chip on submount / C package

915, 975nm Available



Product Specifications at 25°C

Type	OE940G4 Series		
Model No.	940041412		
Operating light output	Po	W	12
Center wavelength	λ_c	nm	940
Emitter aperture width	Wa	um	100
Cavity Length	L	mm	4
Threshold current	Ith	A	0.8
Slope efficiency	η_s	W/A	1.0
Operating current	Iop	A	13
Operating voltage	Vop	V	1.8
Spectral width	$\Delta\lambda$	nm	3
Spectral temperature shift	$d\lambda/dT$	nm/K	0.3
Far-field parallel FWHM	$\theta_{//}$	deg.	9
Far-field perpendicular FWHM	θ_{\perp}	deg.	26
Polarization			TE

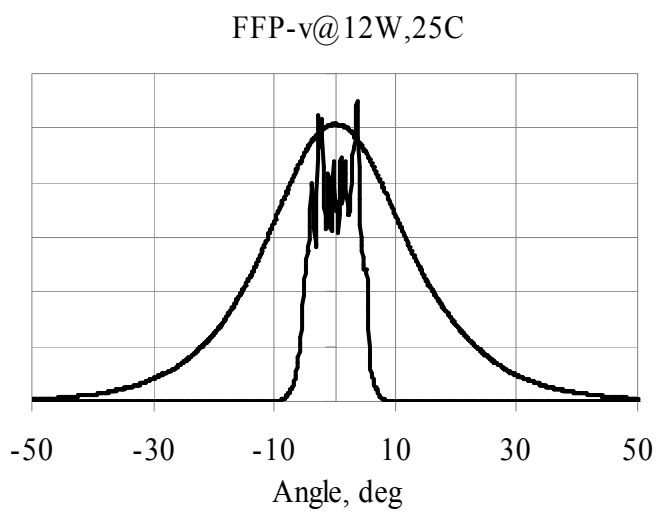
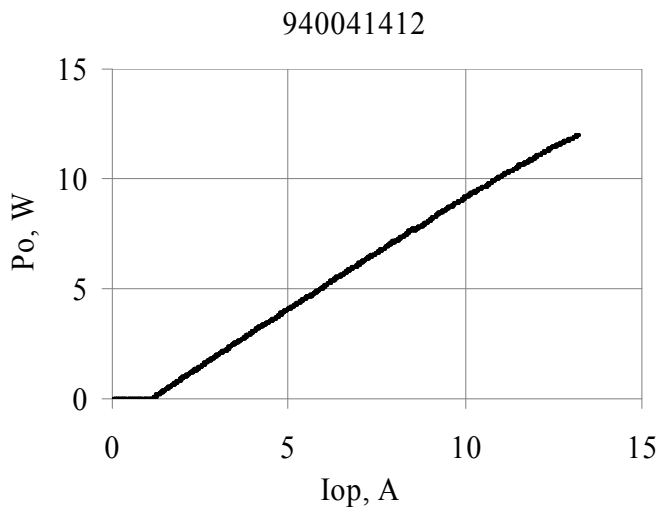
Absolute Maximum Ratings

			min	max		
Forward current	I _{max}	A	-	15.0	OE940G4	100u aperture
Reverse voltage	V _{rmax}	V	-	2.0		
Operating temperature	T _{op}	°C	-20	50	non condensing	
Process temperature	T _{pr}	°C	-	250	5s, Chip on submount	
			-	250	5s, C package lead	
ESD	V		-	500	Human Body Model	

OPTOENERGY

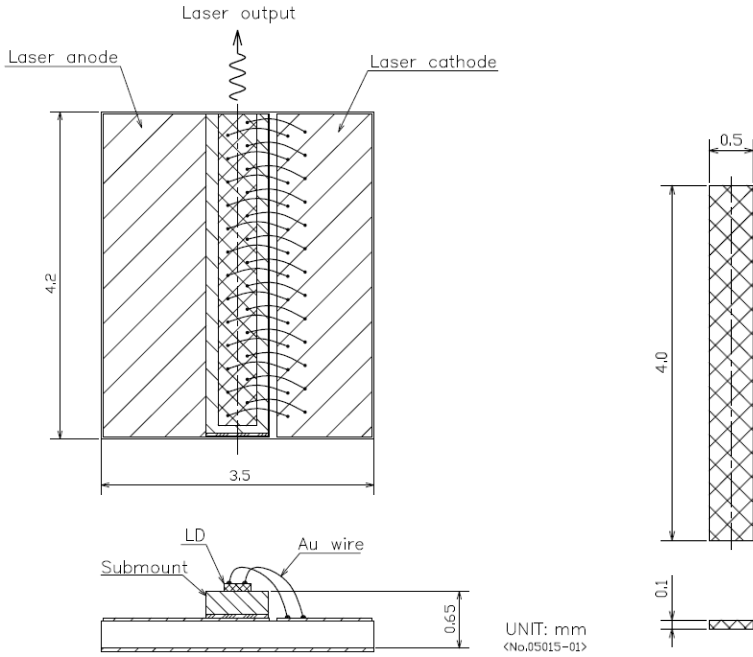
Typical Characteristics

L-I / FFP

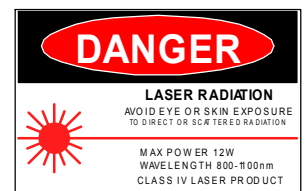
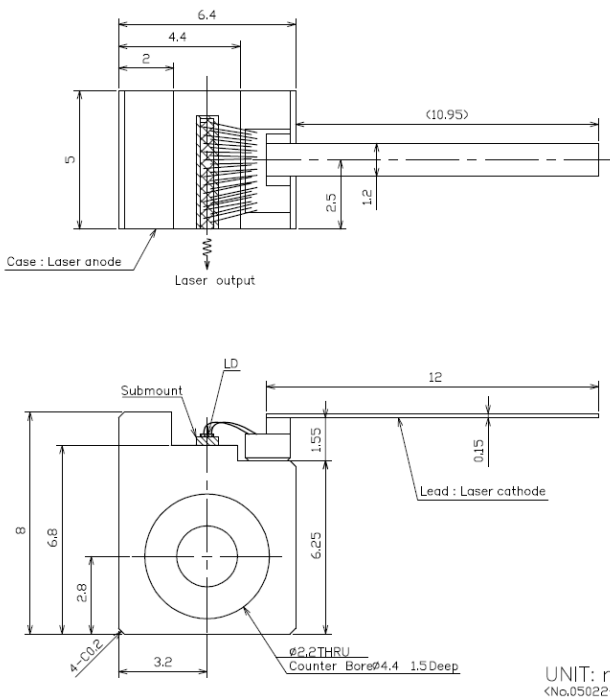


OPTOENERGY

Package COS



C-package



Caution

This laser emits invisible radiation which may be harmful to the eyes. Avoid direct or reflected light from this device. Because of the small size of these devices, each of the labels is attached to the individual shipping container.