

OPTOENERGY

Fiber Coupled 950nm Super Luminescent Diode

14pin Butterfly Module



Product Specifications at 25°C

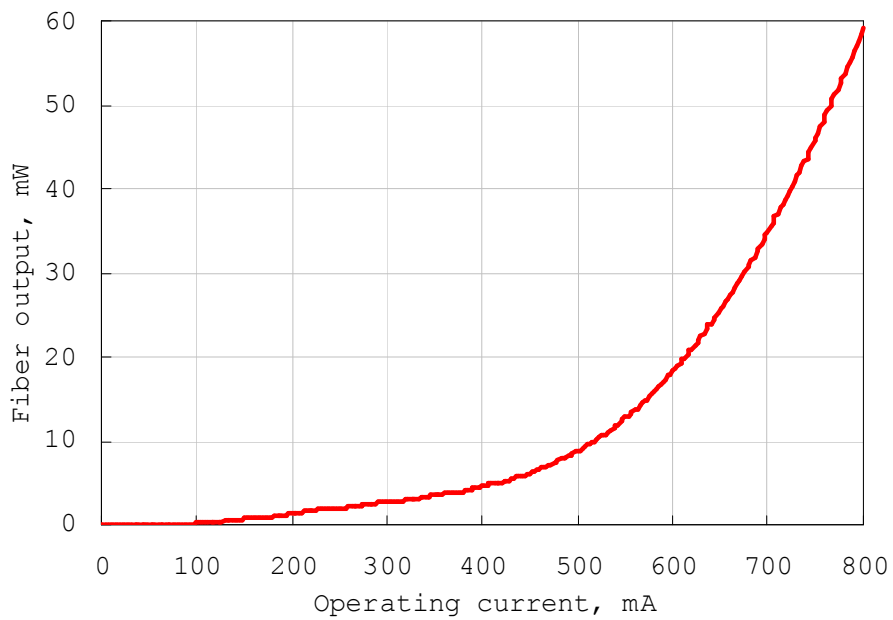
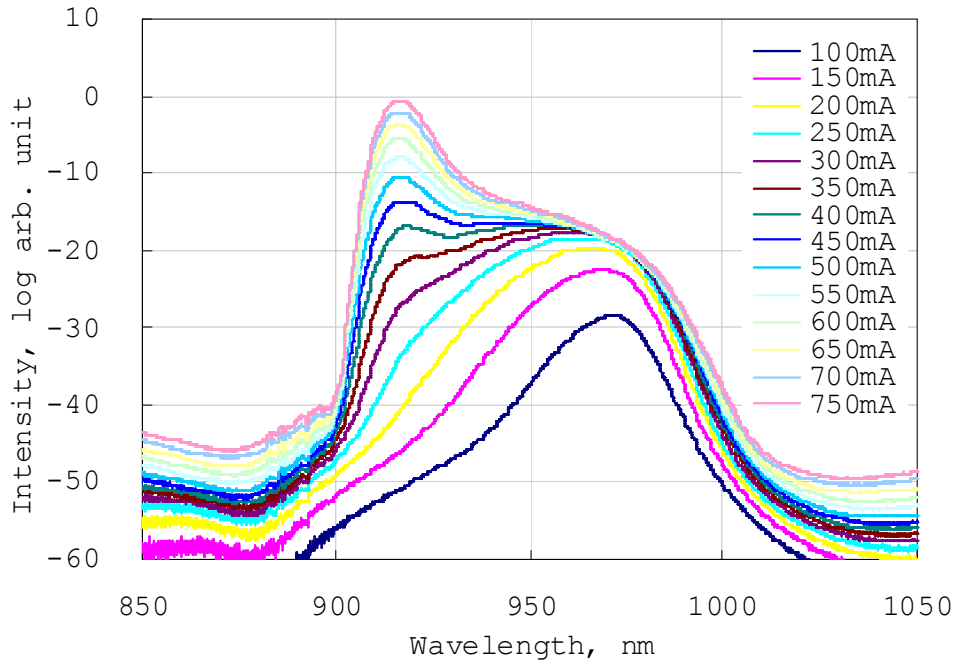
Type	SLD series		
Model No.	950101130M7		
Operating current	I _{op}	mA	500
Forward Voltage	V _{op}	V	1.7
Fiber output	P _f	mW	10
Center Wavelength	λ _c	nm	950
Spectral Width(FWHM)	Δλ	nm	60
TEC Current	I _{TEC}	A	1.3
TEC Voltage	V _{TEC}	V	1.9
Thermistor Resistance	R _{th}	kohm	10
Thermistor Constant	B	K	3950
Fiber Type	PMF		

Absolute Maximum Ratings

			min	max	
Storage Temp	T _{st}	°C	-40	85	
Operating Case Temp	Top	°C	-20	70	
Soldering Temp(max.10sec.)		°C		250	5s, Lead soldering
LD Forward Current	I _{max}	mA		800	
LD Reverse Voltage	V _{rmax}	V		2	
TEC Current	I _{tecmax}	A		1.8	
TEC Voltage	V _{tec.max}	V		3	
ESD Damage(Human body model)	V			500	
Fiber Pigtail Bend Radius		mm	25		

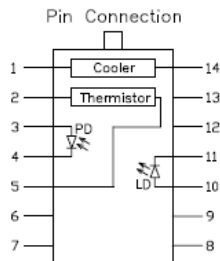
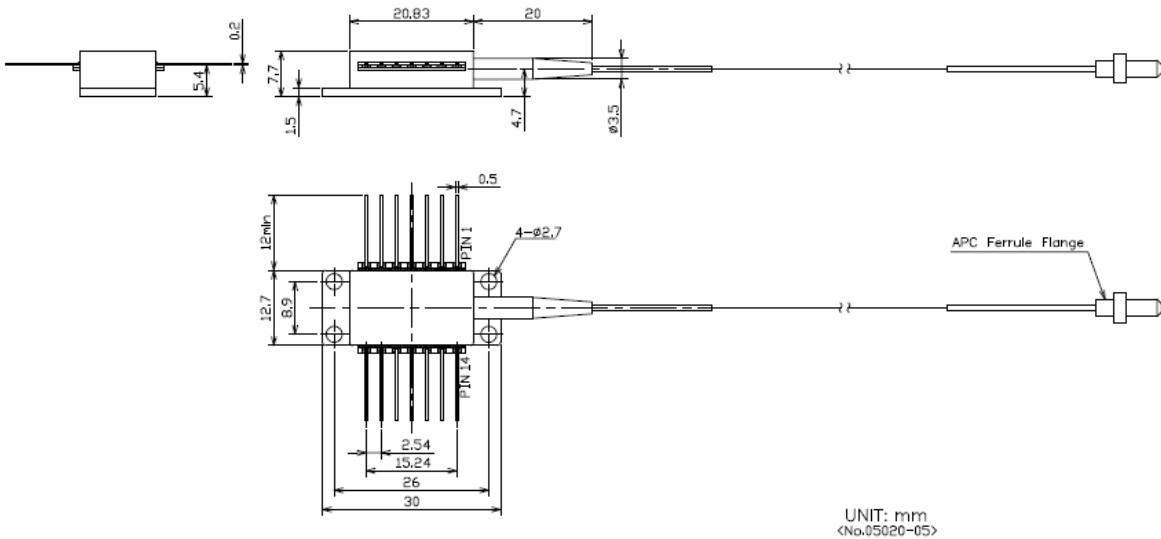
OPTOENERGY

Typical Characteristics



OPTOENERGY

Package 14pin Butterfly Module



For Singlemode

Pin	Description	Pin	Description
1	Cooler(+)	14	Cooler(-)
2	Thermistor	13	Case ground
3	PD anode	12	NC
4	PD cathode	11	Laser cathode
5	Thermistor	10	Laser anode
6	NC	9	NC
7	NC	8	NC

Caution

This laser emits invisible radiation which may be harmful to the eyes.

Avoid direct or reflected light from this device. Because of the small size of these devices, each of the labels is attached to the individual shipping container.

