

OPTOENERGY

980nm Singlemode Laser Diode

5.6 ϕ -CAN



Product Specifications at 25°C

Type	OE3 series		
Model No.	97503423051		
Operating light output	P _o	mW	400
Center wavelength	λ_c		975
Threshold current	I _{th}	mA	95
Operating current	I _{op}	mA	550
Operating voltage	V _{op}	V	1.5
Spectral width	$\Delta\lambda$	nm	2
Spectral temperature shift	d λ /dT	nm/K	0.3
Far-field parallel FWHM	$\theta_{//}$	deg.	7
Far-field perpendicular FWHM	θ_{\perp}	deg.	27
Polarization			TE

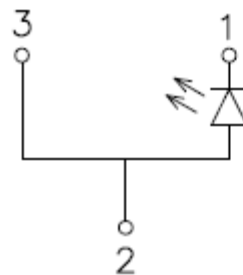
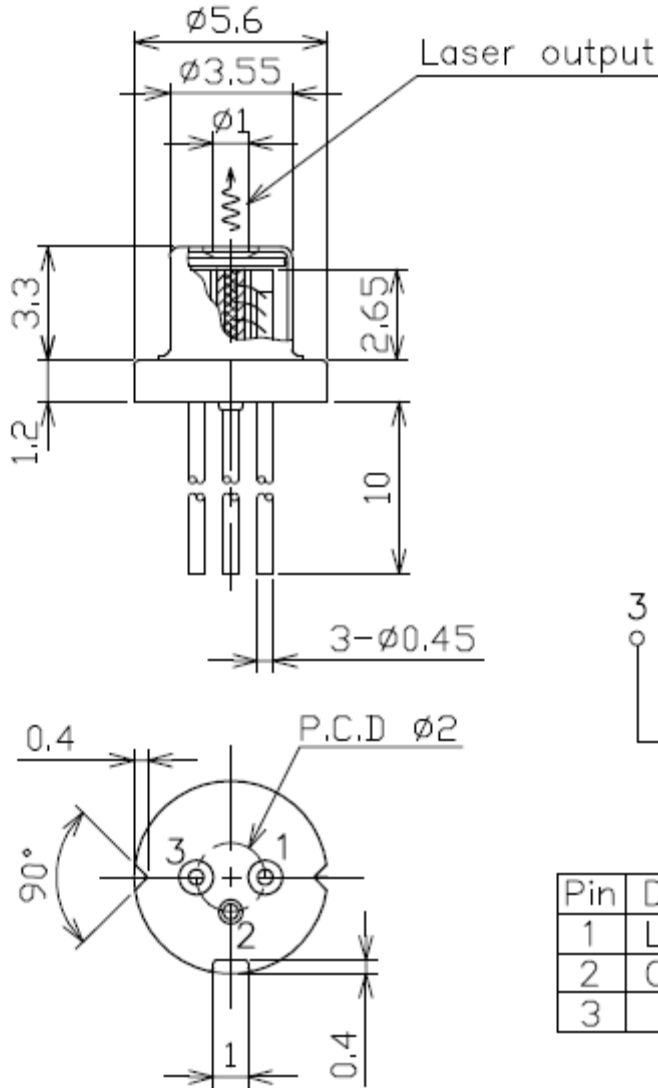
Absolute Maximum Ratings

			min	max	
Forward current	I _{max}	mA	-	700	
Reverse voltage	V _{rmax}	V	-	2.0	
Operating temperature	T _{op}	°C	-20	50	
Storage temperature	T _{st}	°C	-40	85	
Process temperature	T _{pr}	°C	-	250	<5s, Package lead

OPTOENERGY

Package

5.6 ϕ -CAN



Pin	Description
1	Laser cathode
2	Common case
3	

UNIT: mm
<No.05019-02>

Caution

This laser emits invisible radiation which may be harmful to the eyes.

Avoid direct or reflected light from this device. Because of the small size of these devices, each of the labels is attached to the individual shipping container.

