

# OPTOENERGY

## 980nm Singlemode Laser Diode

9  $\phi$  -CAN



### Product Specifications at 25°C

Type			OE2 series	OE3 series
Model No.			97502423092	97503723092
Operating light output	P <sub>o</sub>	mW	400	700
Center wavelength	$\lambda_c$		975	975
Threshold current	I <sub>th</sub>	mA	45	95
Operating current	I <sub>op</sub>	mA	500	900
Operating voltage	V <sub>op</sub>	V	1.5	1.7
Spectral width	$\Delta\lambda$	nm	2	2
Spectral temperature shift	d $\lambda$ /dT	nm/K	0.3	0.3
Far-field parallel FWHM	$\theta_{//}$	deg.	7	7
Far-field perpendicular FWHM	$\theta_{\perp}$	deg.	34	27
Polarization			TE	TE

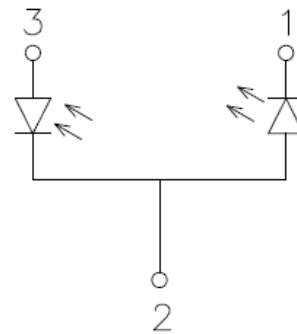
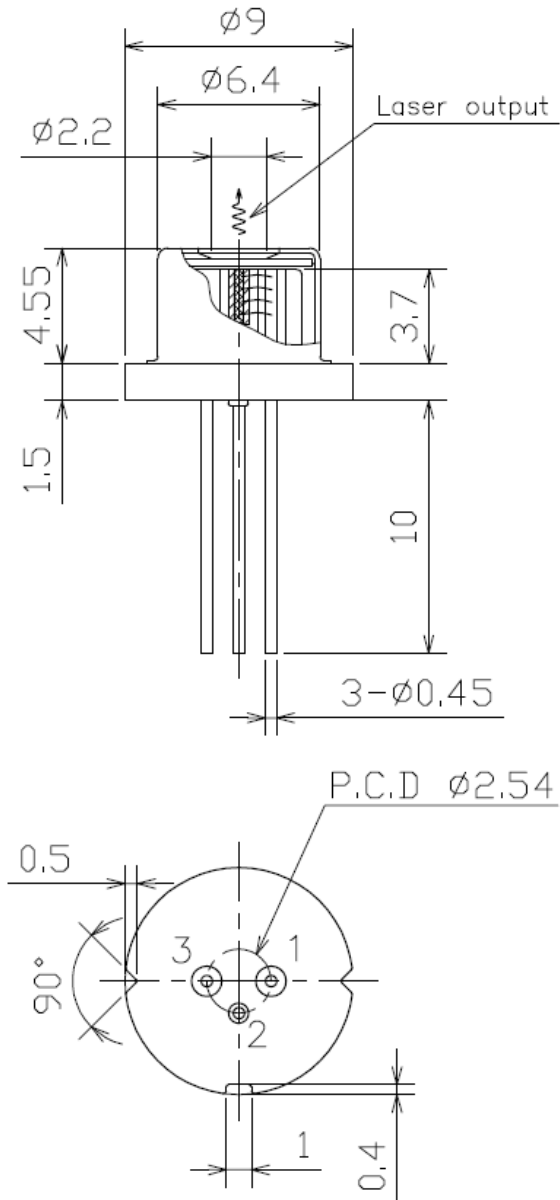
### Absolute Maximum Ratings

			min	max		
Forward current	I <sub>max</sub>	mA	-	800	$\phi$ 9CAN	OE2
				1300		OE3
Reverse voltage	V <sub>rmax</sub>	V	-	2.0		
Operating temperature	T <sub>op</sub>	°C	-20	50		
Storage temperature	T <sub>st</sub>	°C	-40	85		
Process temperature	T <sub>pr</sub>	°C	-	250	<5s, Package lead	

# OPTOENERGY

## Package

### 9 $\phi$ -CAN



Pin	Description
1	Laser cathode
2	Common case
3	Monitor PD anode

UNIT: mm  
<No.05018-01>

## Caution

This laser emits invisible radiation which may be harmful to the eyes.

Avoid direct or reflected light from this device. Because of the small size of these devices, each of the labels is attached to the individual shipping container.

