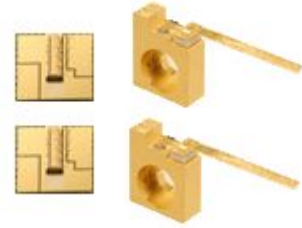


OPTOENERGY

980nm Singlemode Laser Diode

Chip on submount / C package



Product Specifications at 25°C

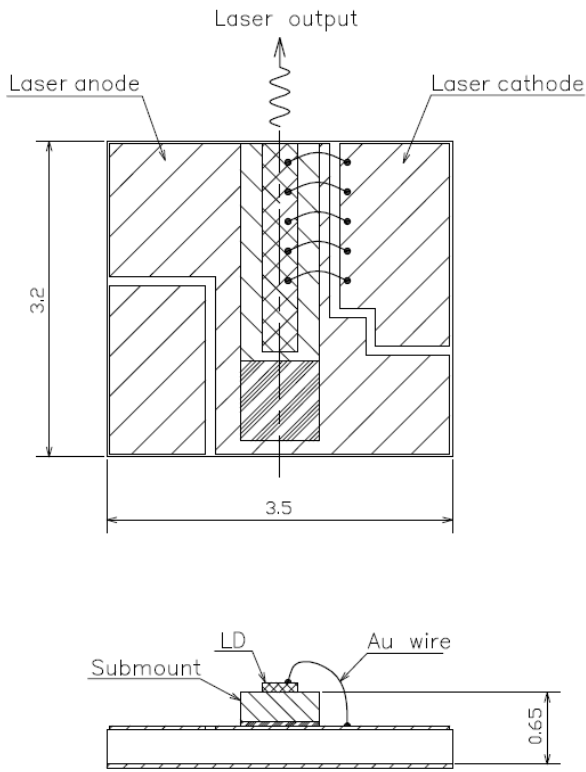
Type			OE2 series	OE3 series
Model No.			975024230S/C	975037230S/C
Operating light output	P _o	mW	400	700
Center wavelength	λ _c		975	975
Threshold current	I _{th}	mA	45	95
Operating current	I _{op}	mA	500	900
Operating voltage	V _{op}	V	1.5	1.7
Spectral width	Δλ	nm	2	2
Spectral temperature shift	dλ/dT	nm/K	0.3	0.3
Far-field parallel FWHM	θ _{//}	deg.	7	7
Far-field perpendicular FWHM	θ _⊥	deg.	34	27
Polarization			TE	TE

Absolute Maximum Ratings

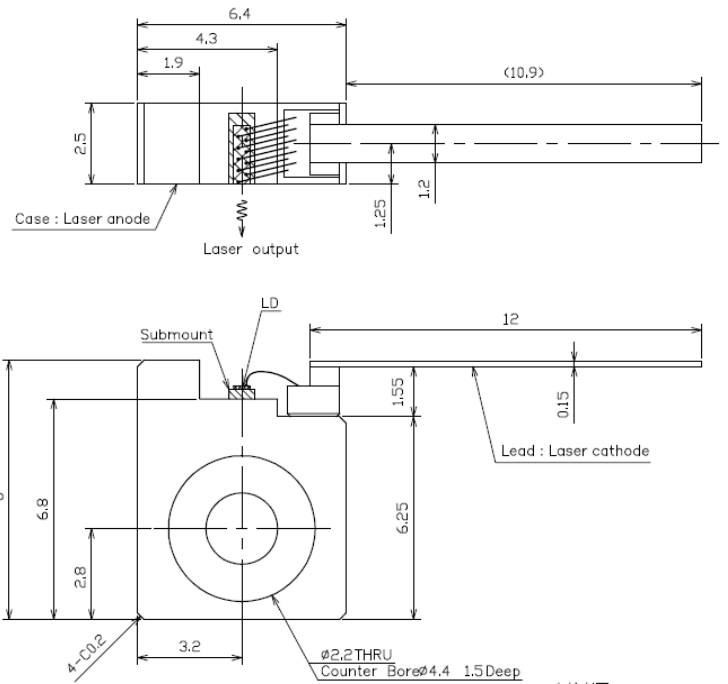
			min	max	
Forward current	I _{max}	mA	-	800	OE2
				1300	OE3
Reverse voltage	V _{rmax}	V	-	2.0	
Operating temperature	T _{op}	°C	-20	50	
Process temperature	T _{pr}	°C	-	250	5s, Chip on submount
				250	5s, C package lead

OPTOENERGY

Package COS/C package



UNIT: mm
<No.05008-07>



UNIT: mm
<No.05011-01>

Caution

This laser emits invisible radiation which may be harmful to the eyes.

Avoid direct or reflected light from this device. Because of the small size of these devices, each of the labels is attached to the individual shipping container.

