

## Fiber Coupled 1030nm Singlemode Laser Module

### 14pin Butterfly Module



### Product Specifications at 25°C

Type	OE2 series		
Model No.	A30023230M		
Fiber output	Pf	mW	330
Center wavelength	$\lambda_c$	nm	1030
Threshold current	I <sub>th</sub>	mA	35/40
Operating current	I <sub>op</sub>	mA	600
Operating voltage	V <sub>op</sub>	V	1.7
Fiber Bragg Grating	with/without		
Spectral width	$\Delta\lambda$	nm	<1.0/ -
Fiber type	SM/PMF		
	L <sub>fiber</sub>	m	2.0
Monitor PD reverse bias	V <sub>Rpd</sub>	V	5
Monitor PD response	R <sub>pd</sub>	mA/W	0.5
Thermistor temperature	T <sub>s</sub>	C	25
Case temperature	T <sub>c</sub>	C	75
TEC current	I <sub>tec</sub>	A	1.2
TEC voltage	V <sub>tec</sub>	V	1.9
Thermistor resistance	T <sub>R</sub>	kohm	10
Thermistor B constant	T <sub>B</sub>	K	3950

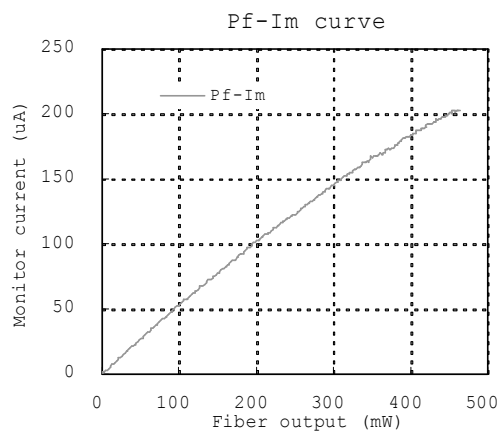
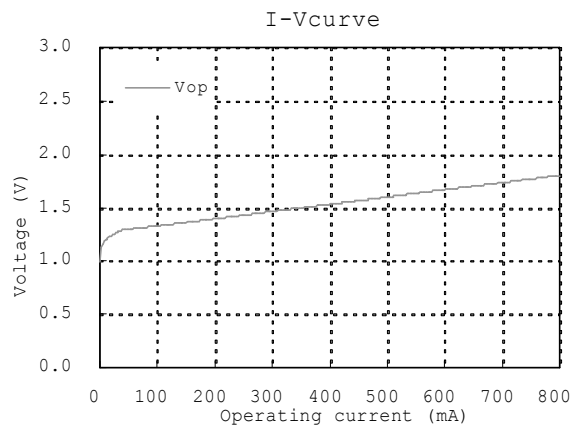
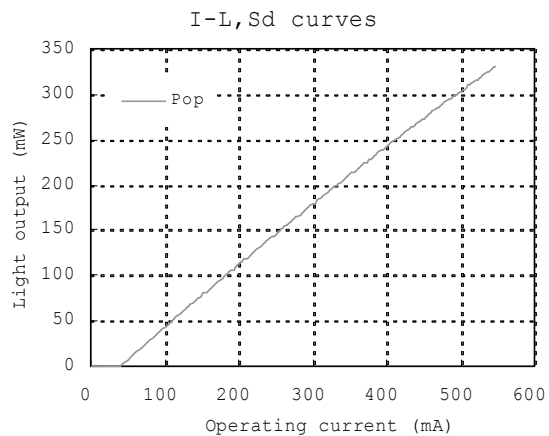
### Absolute Maximum Ratings

			min	max	
Forward current	I <sub>max</sub>	mA	-	800	1030nm
Reverse voltage	V <sub>rmax</sub>	V	-	2.0	
Operating temperature	T <sub>op</sub>	°C	-20	75	
Storage temperature	T <sub>st</sub>	°C	-40	85	
PD reverse voltage	V <sub>rmax</sub>	V	-	10.0	
TEC current	I <sub>tecmax</sub>	A	-	2.5	
TEC voltage	V <sub>tecmax</sub>	V	-	3.2	
Process temperature	T <sub>pr</sub>	°C	-	250	<5s, Package lead

# OPTOENERGY

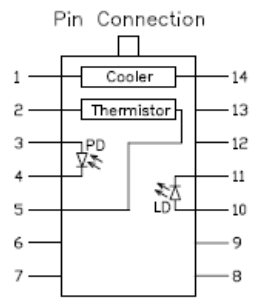
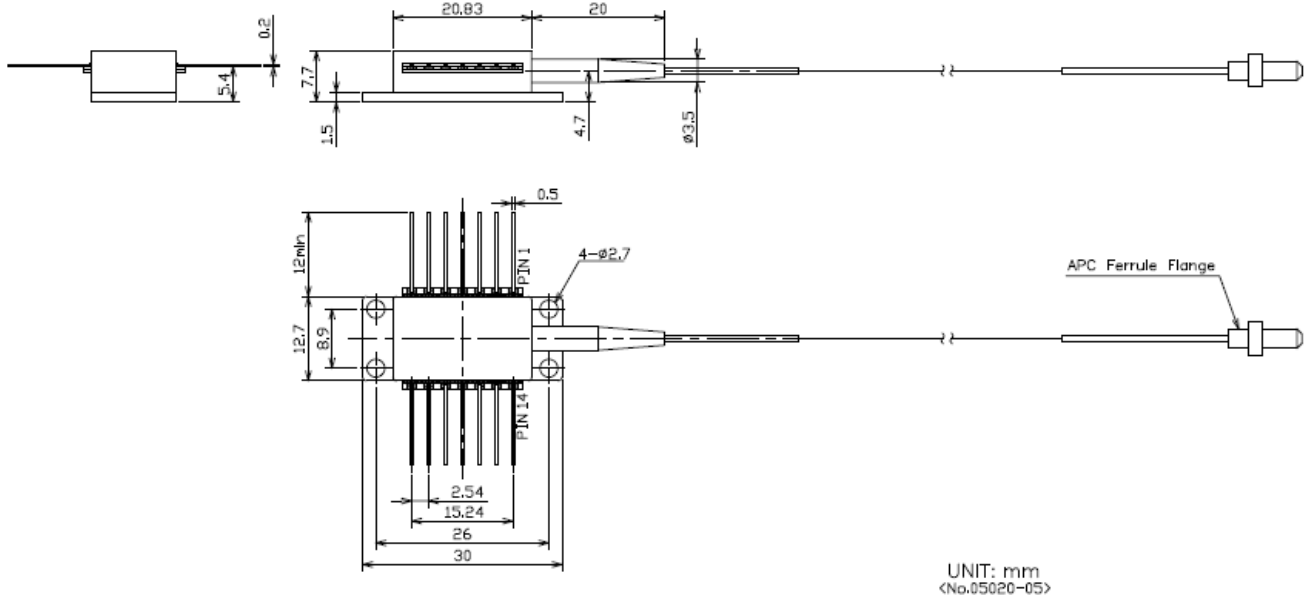
## Typical Characteristics

### 1030nm PM



# OPTOENERGY

## Package 14pin Butterfly Module



For Singlemode

Pin	Description	Pin	Description
1	Cooler(+)	14	Cooler(-)
2	Thermistor	13	Case ground
3	PD anode	12	NC
4	PD cathode	11	Laser cathode
5	Thermistor	10	Laser anode
6	NC	9	NC
7	NC	8	NC

### Caution

This laser emits invisible radiation which may be harmful to the eyes. Avoid direct or reflected light from this device. Because of the small size of these devices, each of the labels is attached to the individual shipping container.

