

1040nm Superluminescent Diode

9 ϕ -CAN



Application

- Tunable laser and narrow band external cavity laser
- SHG Laser

Product Specifications at 25°C

Type	SLD series			
Model No.				
	A4010113092	A4010313092	A4010613092	
Operating light output	P _o mW	10	30	60
Center wavelength	λ_c nm	1040	1040	1040
Operating current	I _{op} mA	100	150	200
Voltage	V _{op} V	1.3	1.3	1.4
Spectral width @ 3dB	$\Delta\lambda$ nm	30	35	38
Fabry-Perot ripple		0.4	0.7	1.2
	λ_{FSR} nm	0.064	0.064	0.064
Polarization		TE	TE	TE
Polarization extinction ratio		>16	>16	>16

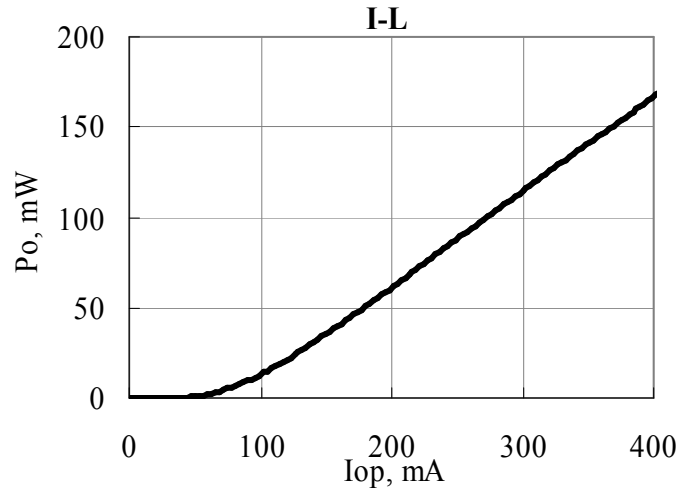
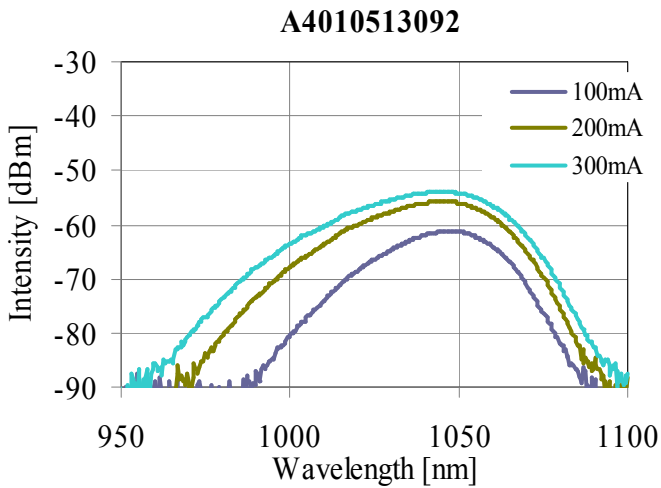
Absolute Maximum Ratings

			min	max	
Forward current	I _{max}	mA	-	600	
Reverse voltage	V _{rmax}	V	-	2.0	
Operating temperature	T _{op}	°C	-20	50	
Storage temperature	T _{st}	°C	-40	85	
Process temperature	T _{pr}	°C	-	250	5s, Lead soldering

OPTOENERGY

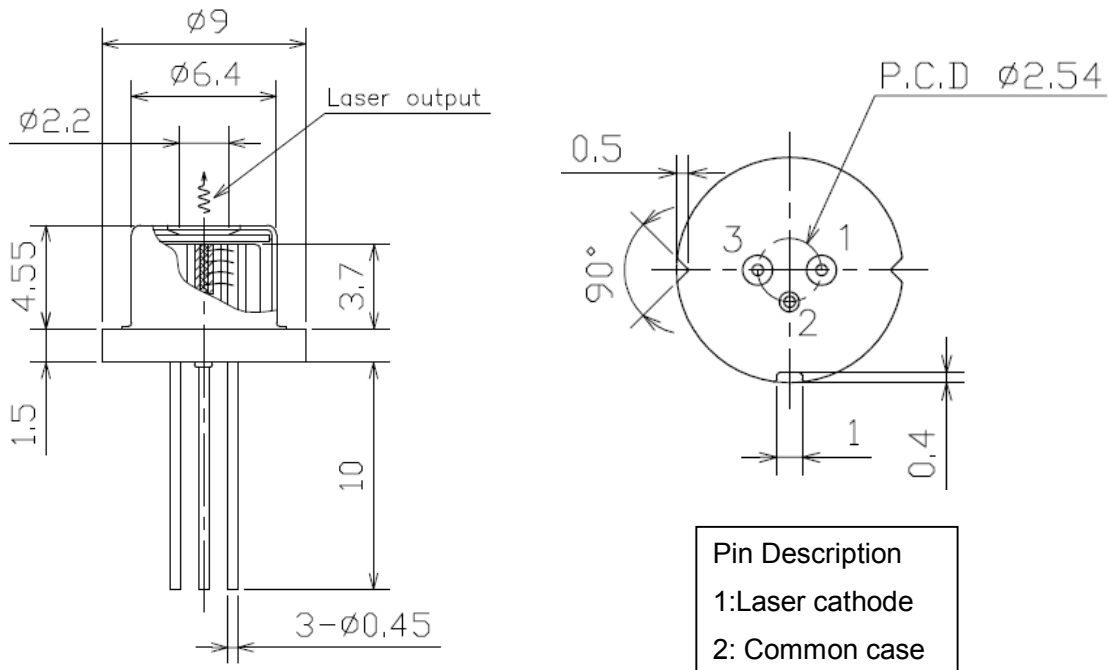
Typical Characteristics

1040nm SLD



Package

9 φ -CAN



Caution

This laser emits invisible radiation which may be harmful to the eyes. Avoid direct or reflected light from this device. Because of the small size of these devices, each of the labels is attached to the individual shipping container.

