

OPTOENERGY

950nm Superluminescent Diode

9 ϕ -CAN

Application

- Tunable laser and narrow band external cavity laser
- SHG Laser



Product Specifications at 25°C

Type	SLD series		
Model No.	95010513092		
Operating light output	P _o	mW	50
Center wavelength	λ_c	nm	950
Operating current	I _{op}	mA	400
Voltage	V _{op}	V	1.5
Spectral width @ 3dB	$\Delta\lambda$	nm	60
Fabry-Perot ripple		dB	3.0
	λ FSR	nm	0.055
Polarization			TE
Polarization extinction ratio		dB	>16

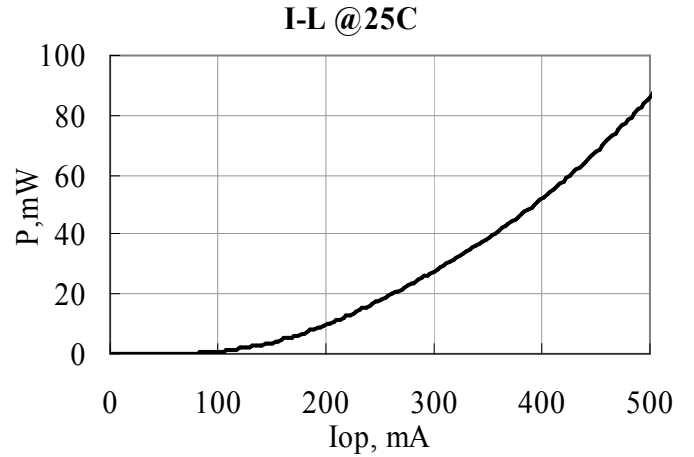
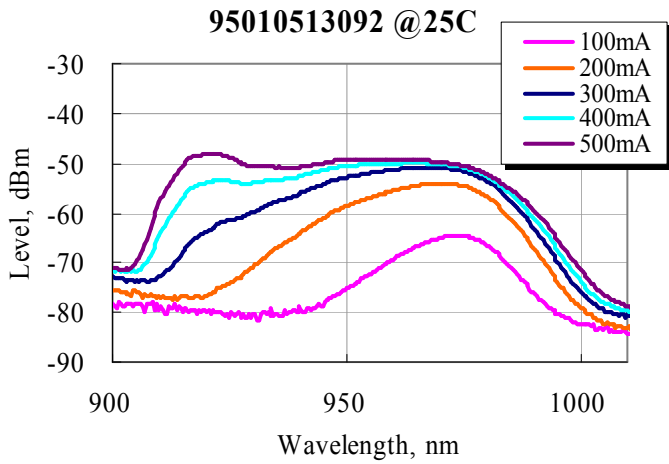
Absolute Maximum Ratings

			min	max	
Forward current	I _{max}	mA	-	850	
Reverse voltage	V _{rmax}	V	-	2.0	
Operating temperature	T _{op}	°C	-20	50	
Storage temperature	T _{st}	°C	-40	85	
Process temperature	T _{pr}	°C	-	250	5s, Lead soldering

OPTOENERGY

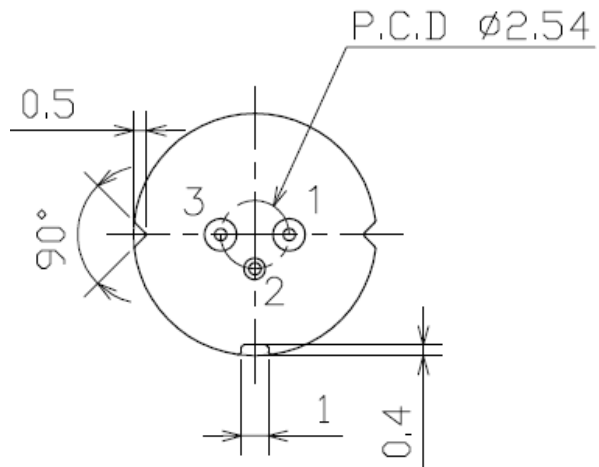
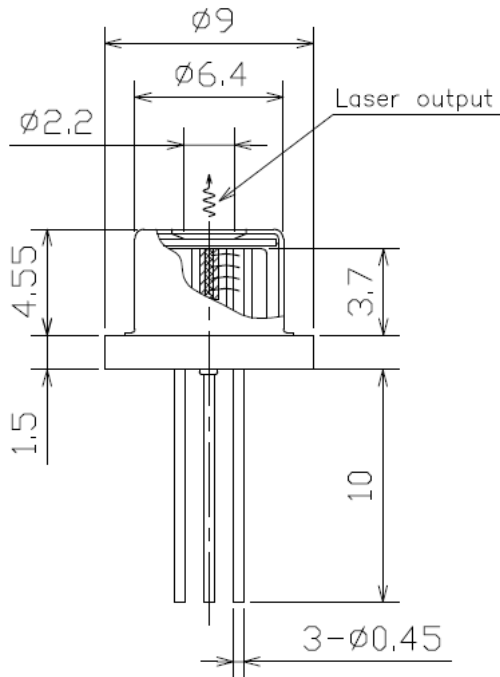
Typical Characteristics

950nm SLD



Package

9 ϕ -CAN



Pin Description
 1: Laser cathode
 2: Common case

Caution

This laser emits invisible radiation which may be harmful to the eyes. Avoid direct or reflected light from this device. Because of the small size of these devices, each of the labels is attached to the individual shipping container.

